

BULLY II MOA CHASSIS/KIT/RTR

BULLY II MOA

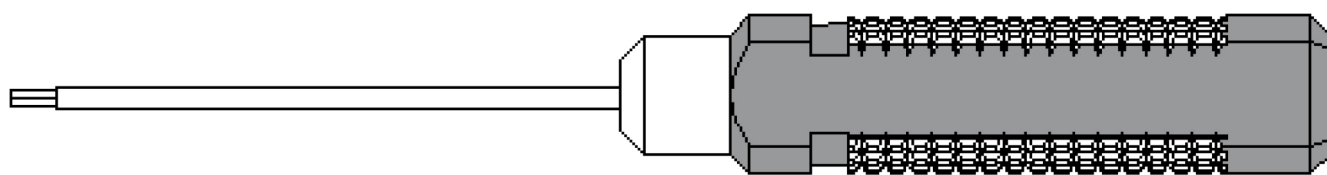


SHOWN WITH RTR VERSION

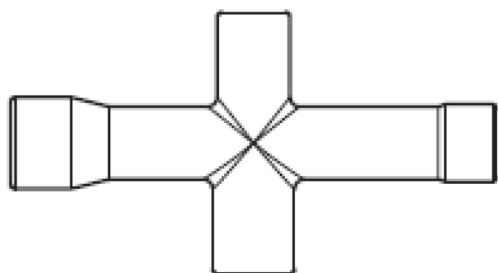


This manual is used for multiple assemblies of this chassis. You may need to get some parts shown here for they are not covered in the purchase. Please check the product page, as well as this manual to figure out if there are some parts you need to complete the assembly.

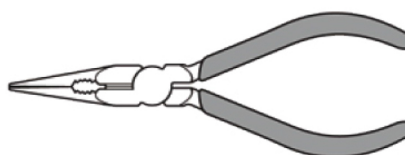
Recommended Tools



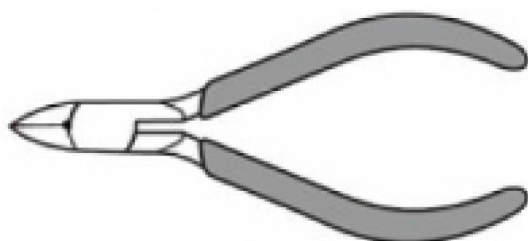
Hex Drivers (1.5mm, 2mm, 2.5mm)



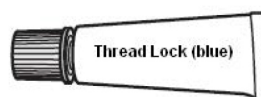
Cross Wrench



Long Nose Pliers



Side Cutter Pliers



Thread Lock

Tips for Assembly

Good quality hex drivers will be helpful to avoid stripping screw heads. Thread lock will be required when putting metal screws into metal parts.

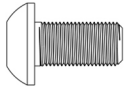
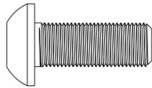
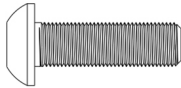
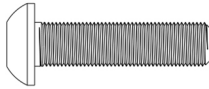
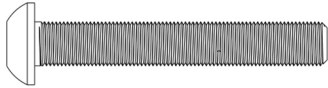


Note: Steps marked with an "⚠" means the thread lock is needed. Please use the thread lock very sparingly. Do not over tighten screws, otherwise you may strip the heads.

RC4WD Limited Warranty

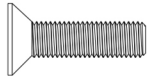
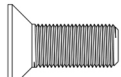

All RC4WD products are warranted to be free for defects in materials or workmanship when they are still new. Our limited warranty does not cover the normal wear and tear, and the consequences caused by the user's wrong assembly or modification, and by the lacking of routine maintenance, or using other parts from market. The warranty lasts 30 days after the arrival to the original purchaser. In the event of a defect under this warranty, RC4WD, at our discretion, will replace the product, provided our inspection indicates that an original defect exists. RC4WD reserves the right to replace any product which is no longer available with other product which has the comparable value and function. If RC4WD determines it is out of the warranty guidelines, we will contact you for more details. If you have any questions, please contact us via email at support@rc4wd.com.



Steel Button Head Cap Screws

Z-S0651		M3X6	3X
Z-S0652		M3X8	10X
Z-S0653		M3X10	7X
Z-S0654		M3X12	9X
Z-S0657		M3X18	6X
Z-S0895		M3X20	6X
Z-S0658		M3X22	1X
Z-S1616		M3X24	10X

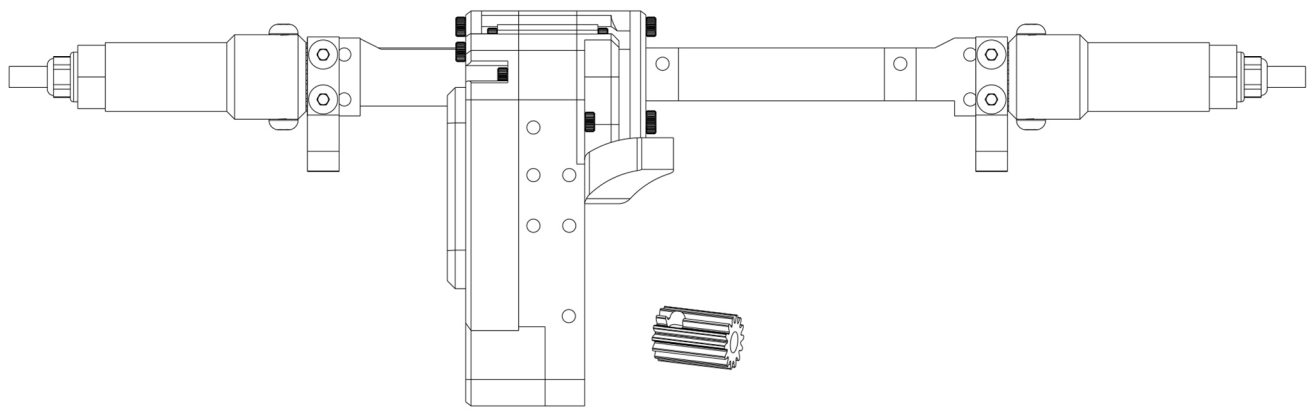
Countersunk Flat Head Screws

Z-S1617		M2.5X6	2X
Z-S0648		M3X6	5X
Z-S0649		M3X8	2X

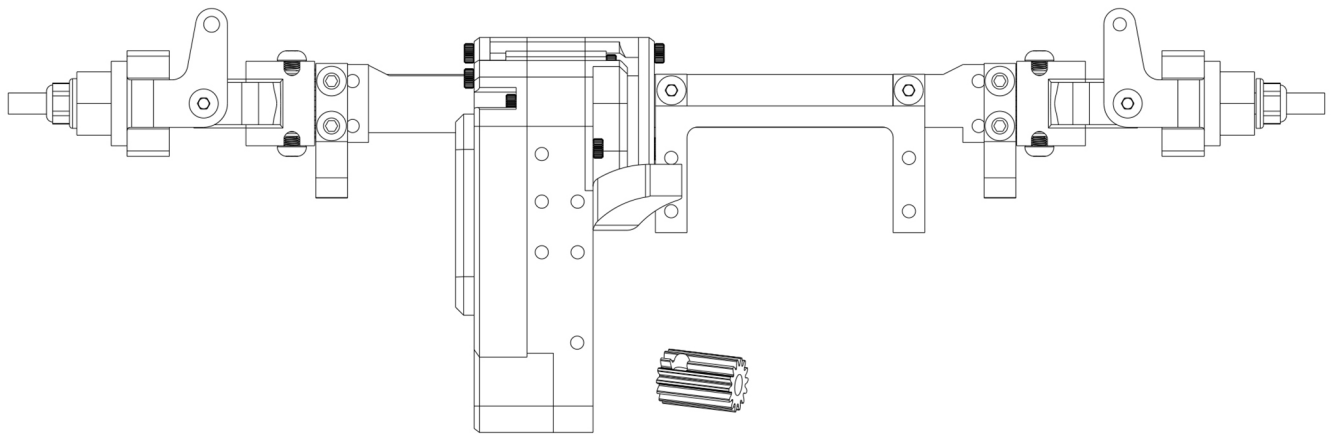
Nut and Spacer

Z-S0629		M3	3X
Z-S0843		3mm	8X
Z-S0956		6mm	2X

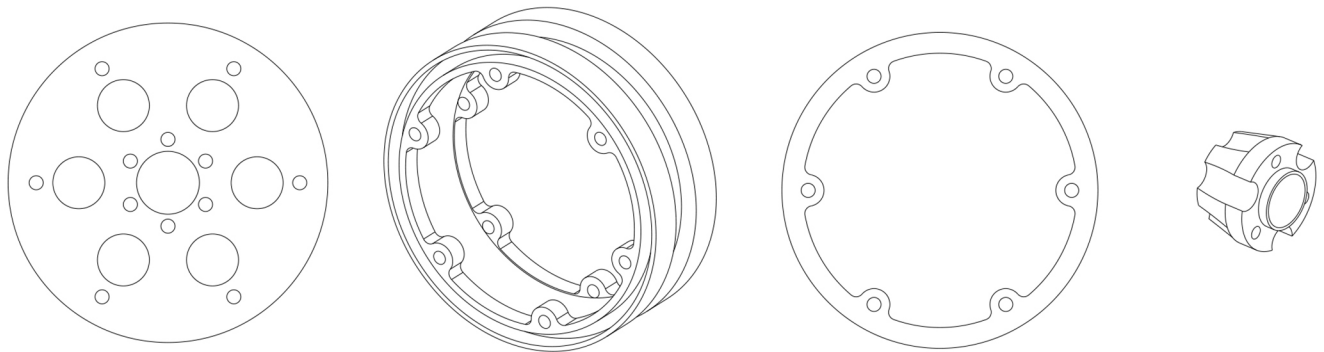




Z-A0084



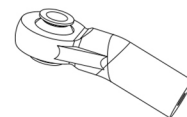
Z-A0012



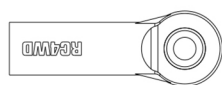
Z-W0178 4X



Z-D0015 4X



Z-S0074 2X

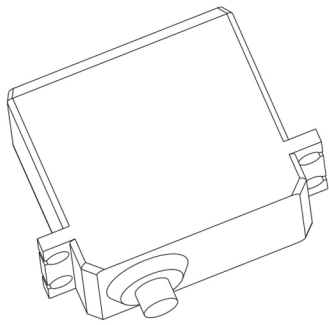


Z-S1375 2X

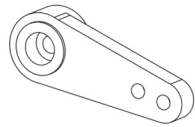


Z-S1378 14X

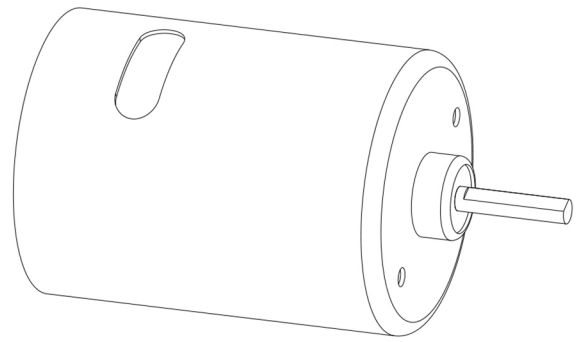




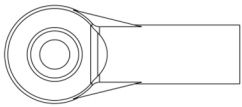
Z-E0035



Z-S0182



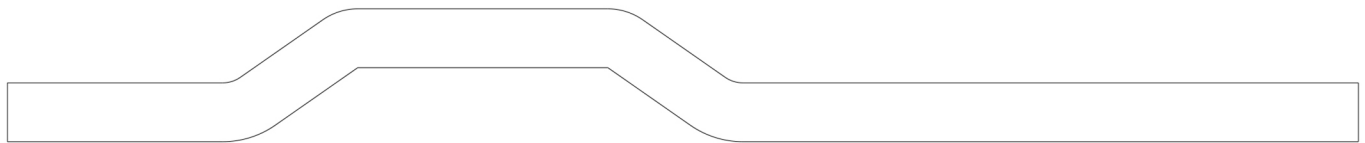
Z-E0045 2X



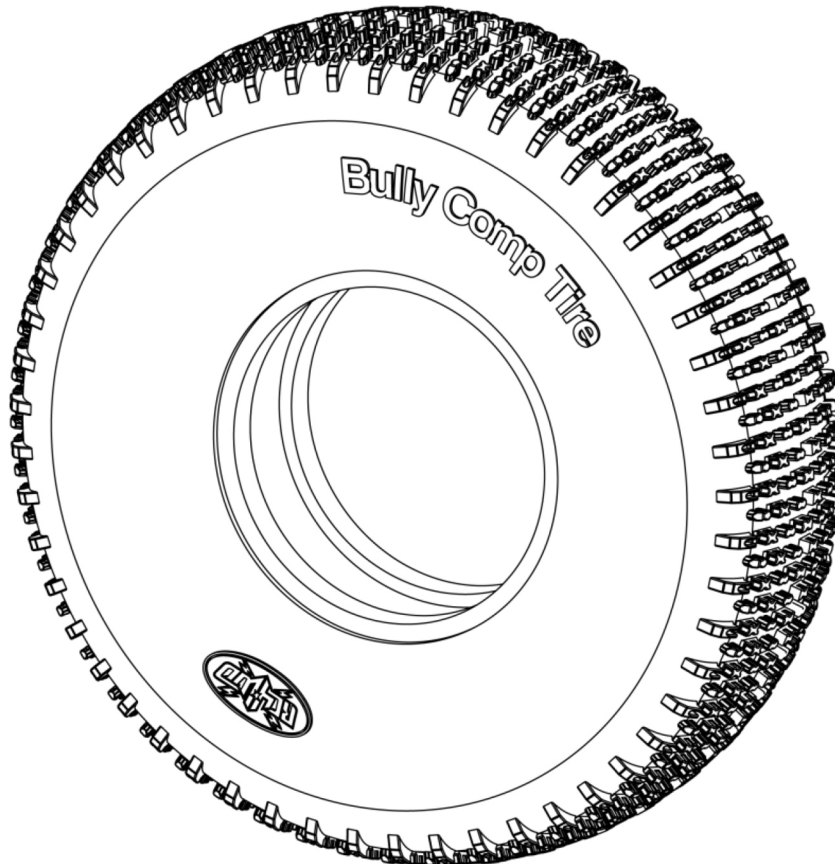
4X



4X

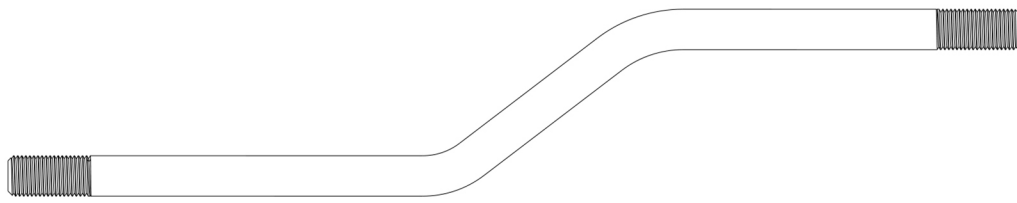


Z-S0952



Z-T0134 4X





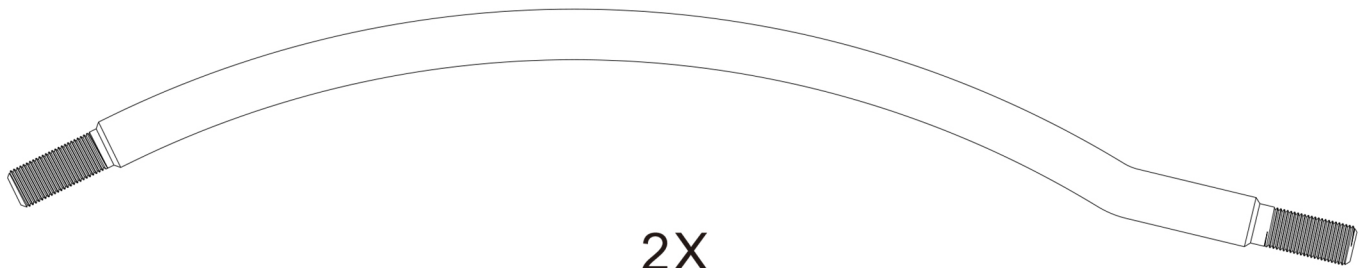
2X



91mm 2X

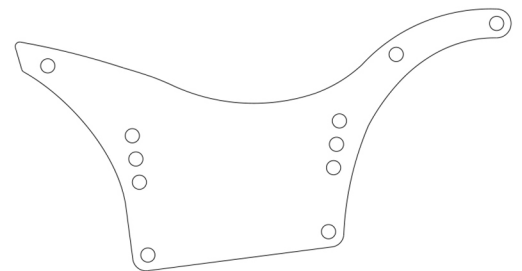
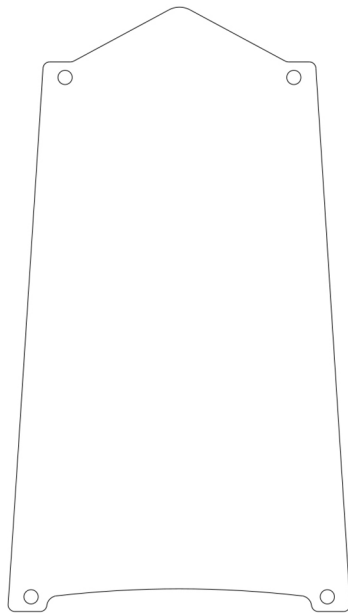
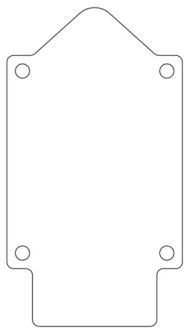


130mm 2X



2X

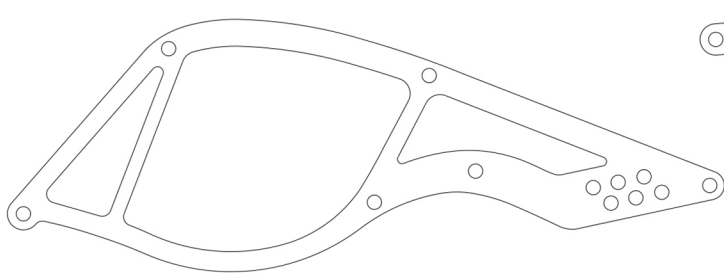
Z-C0047



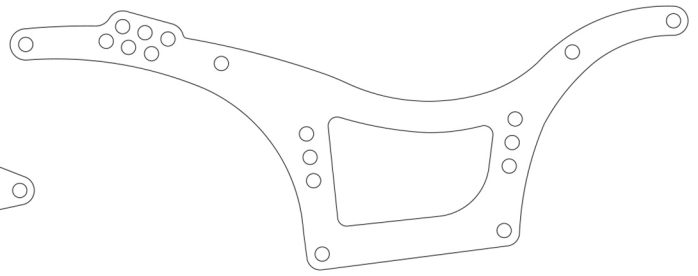
2X

Z-C0047

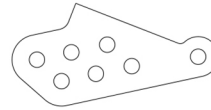
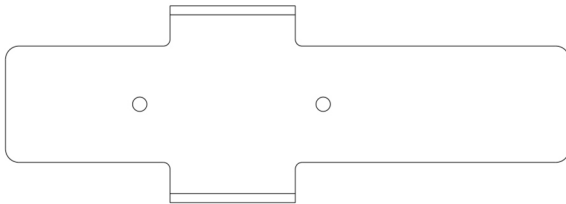
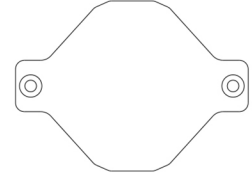
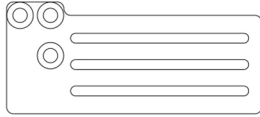




2X



2X



2X



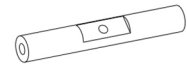
5X (40mm)



(58mm)



(65mm)



2X (40mm)



2X(8mm)



4X(12mm)

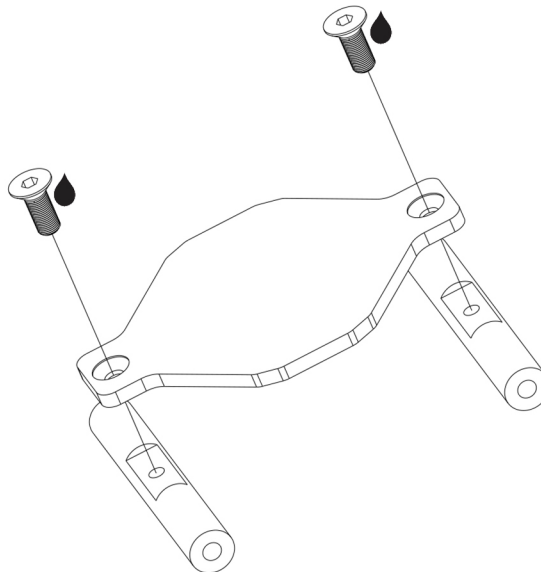


2X

Z-C0047

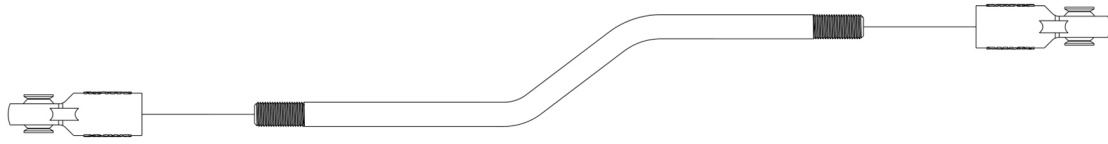
Step 1

Z-S1617  (2x)
M2.5X6

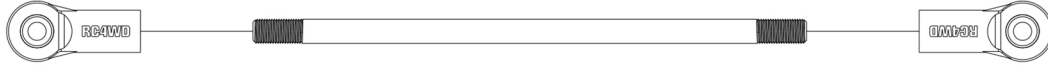


Step 2

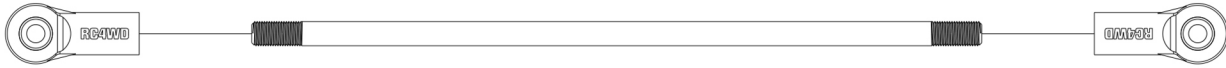
Notice: These links with rod end are a little difficult to assemble. Please be patient.



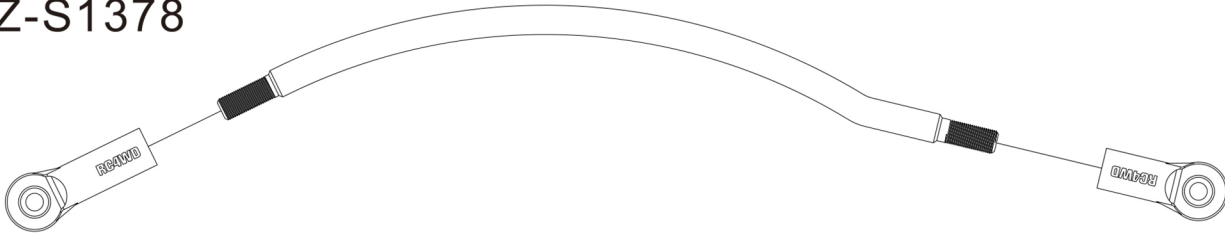
Z-S1378



Z-S1378



Z-S1378

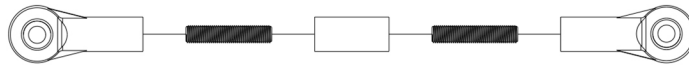


Z-S1375

Z-S1378

Make 2

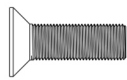
Step 3



Z-S0952

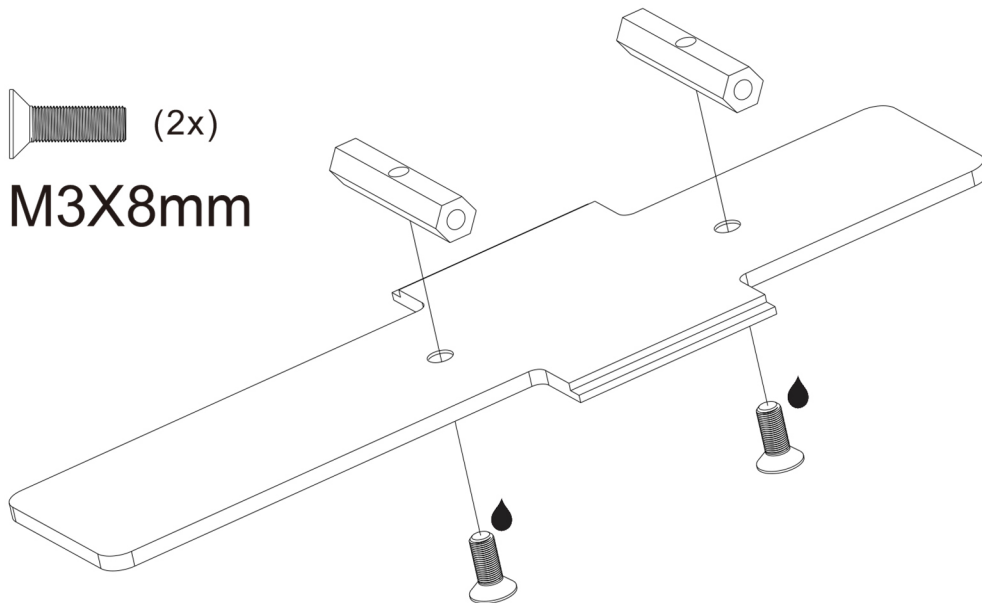
Step 4

Z-S0649



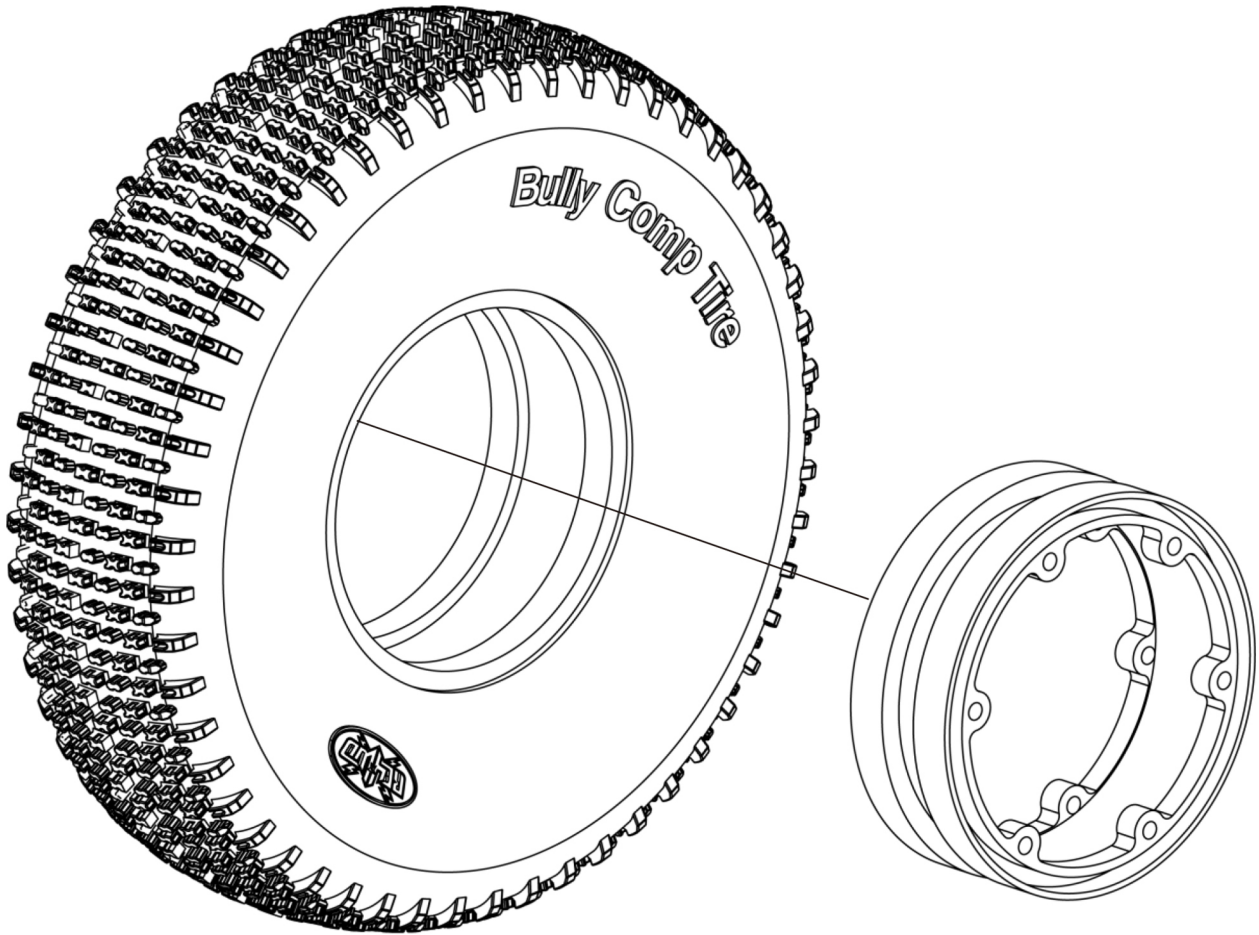
(2x)

M3X8mm

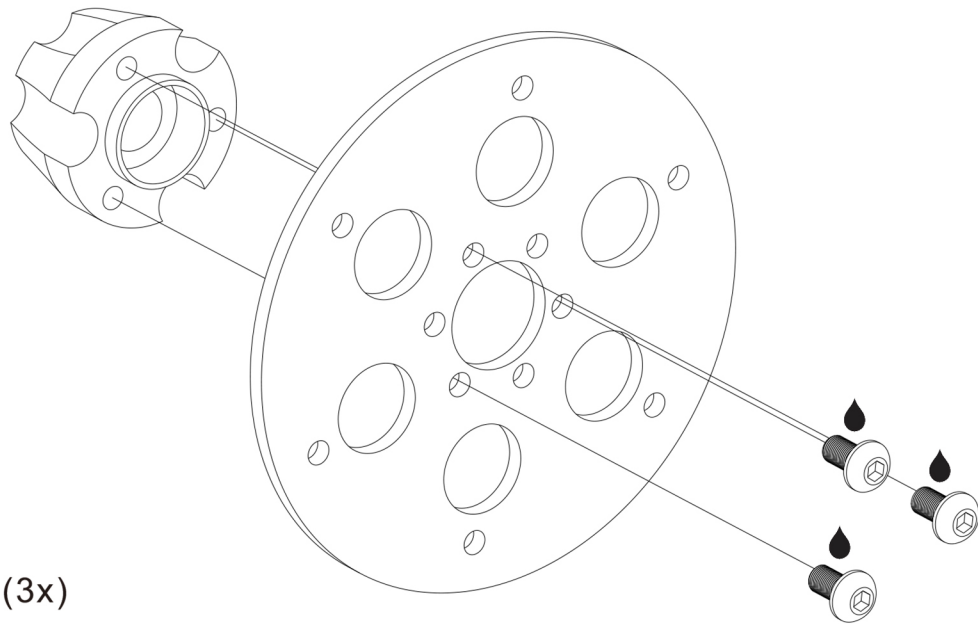


Step 5

Insert beadlock center into the tire, and insert the tire bead into the wheel bead.



Step 6

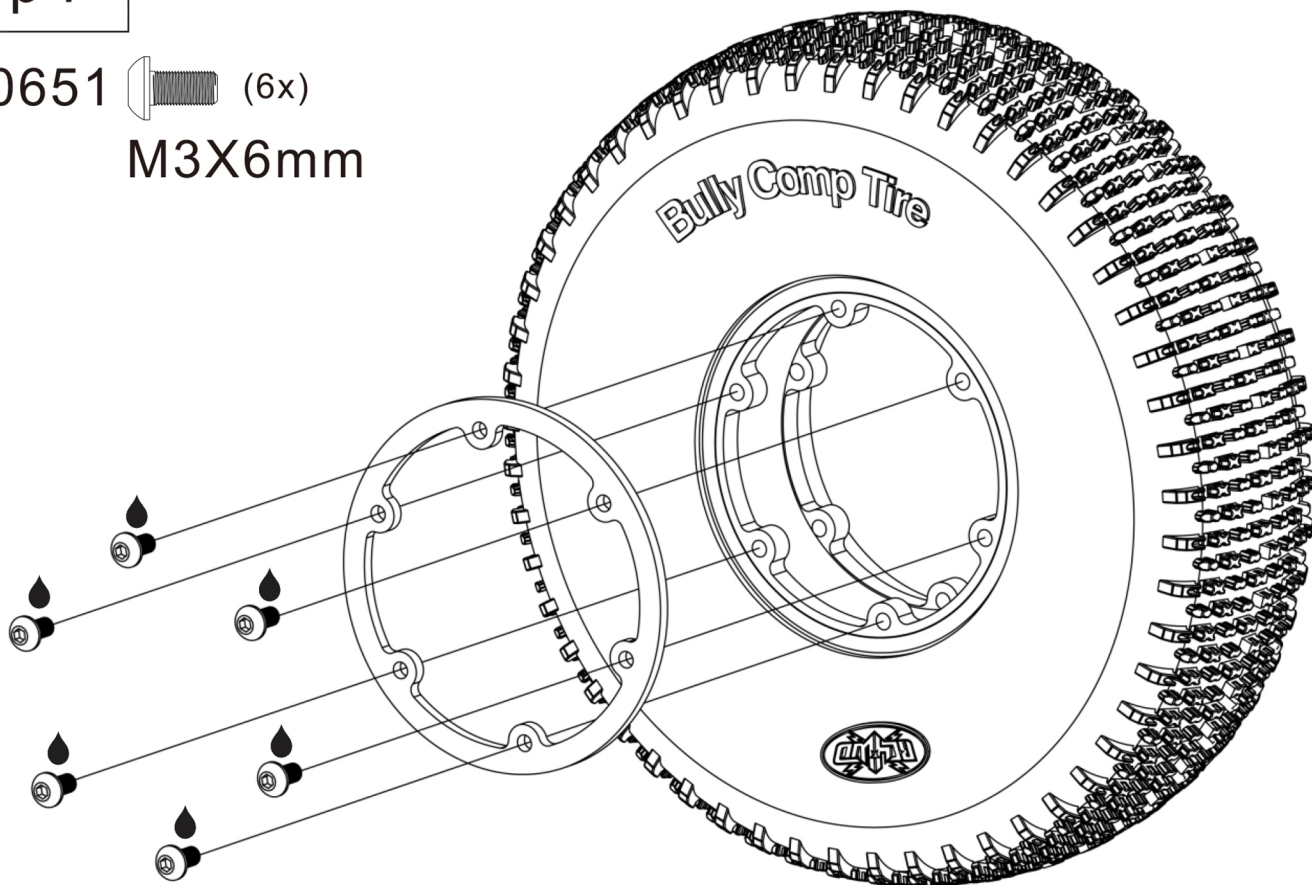


Z-S0652 (3x)
M3X8mm



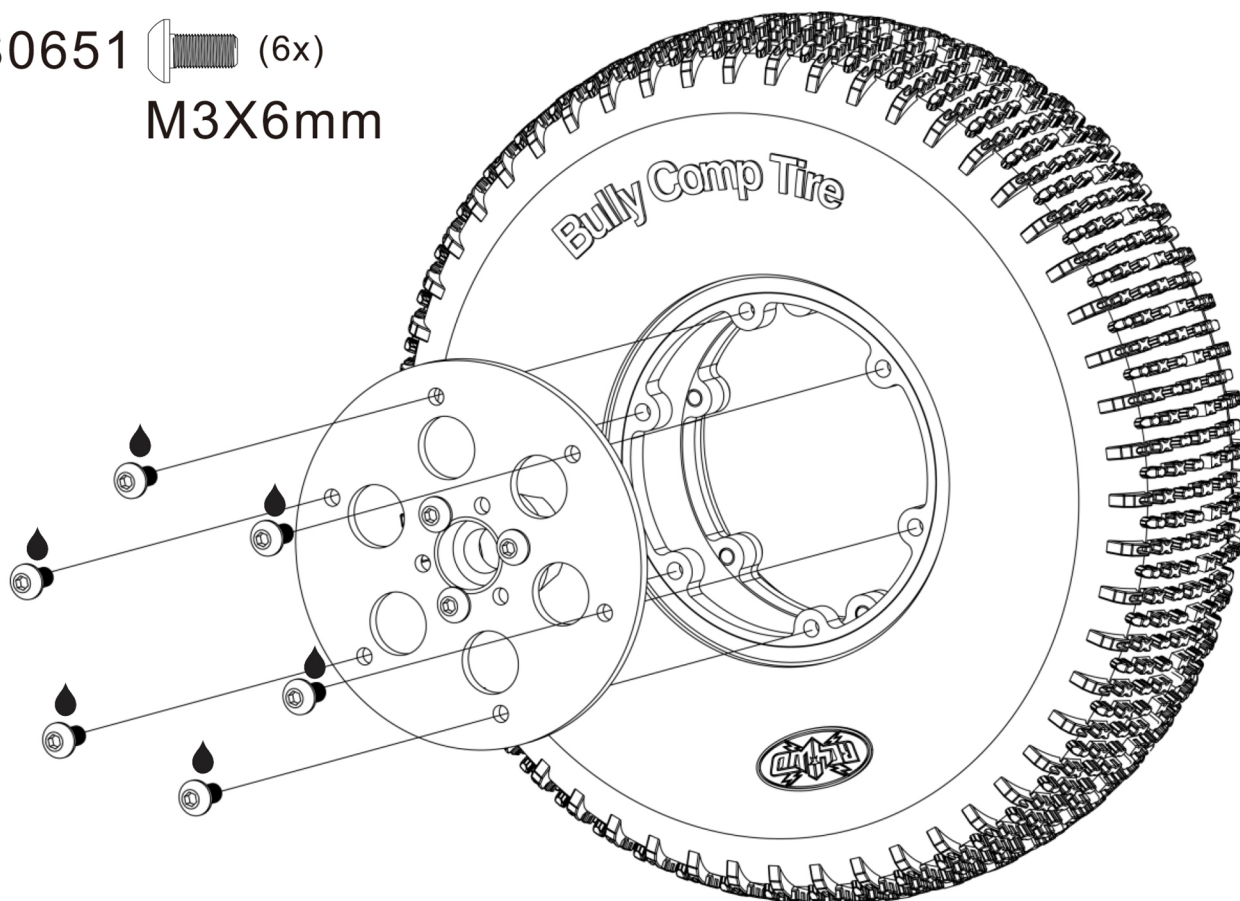
Step 7

Z-S0651 (6x)
M3X6mm




Step 8

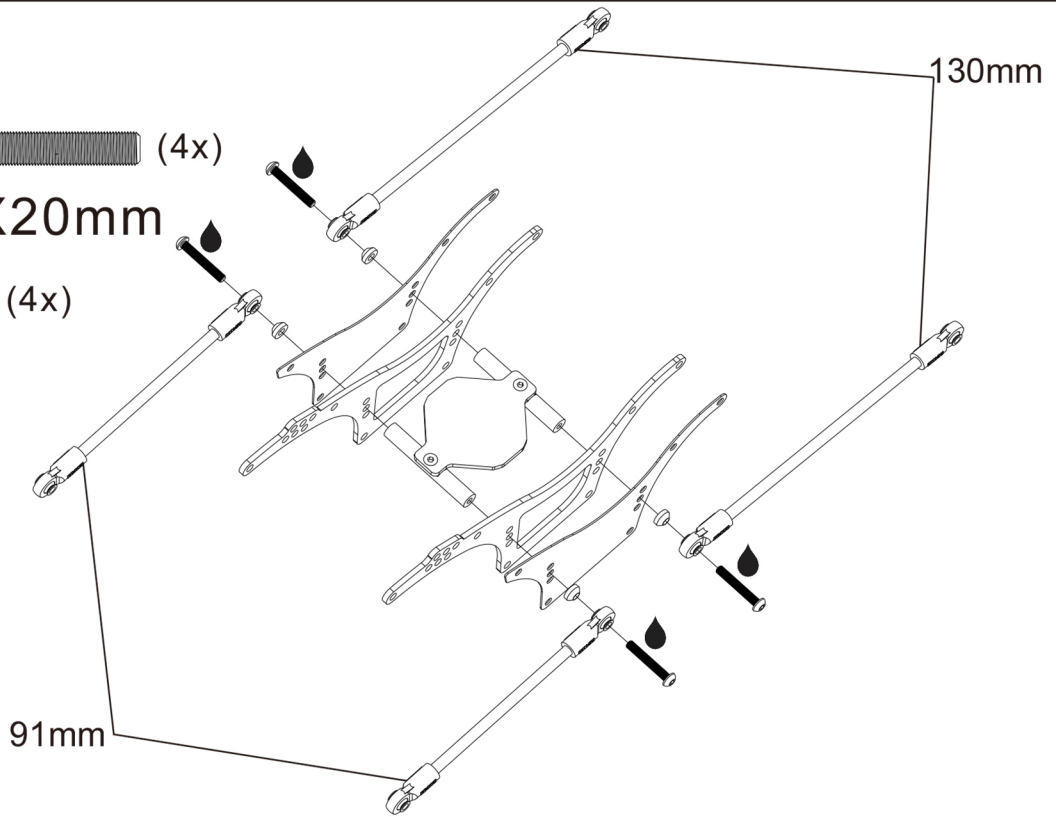
Z-S0651 (6x)
M3X6mm




Step 9

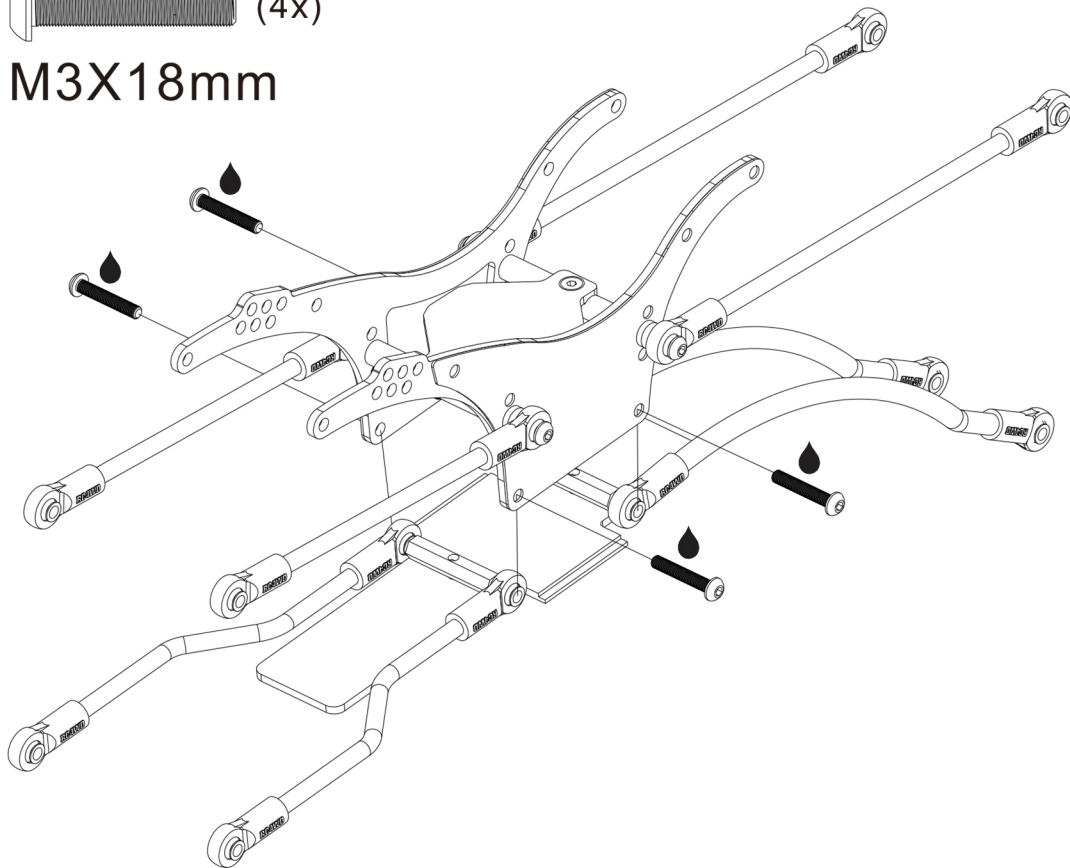
Z-S0895  (4x)
M3X20mm

Z-S0843  (4x)



Step 10

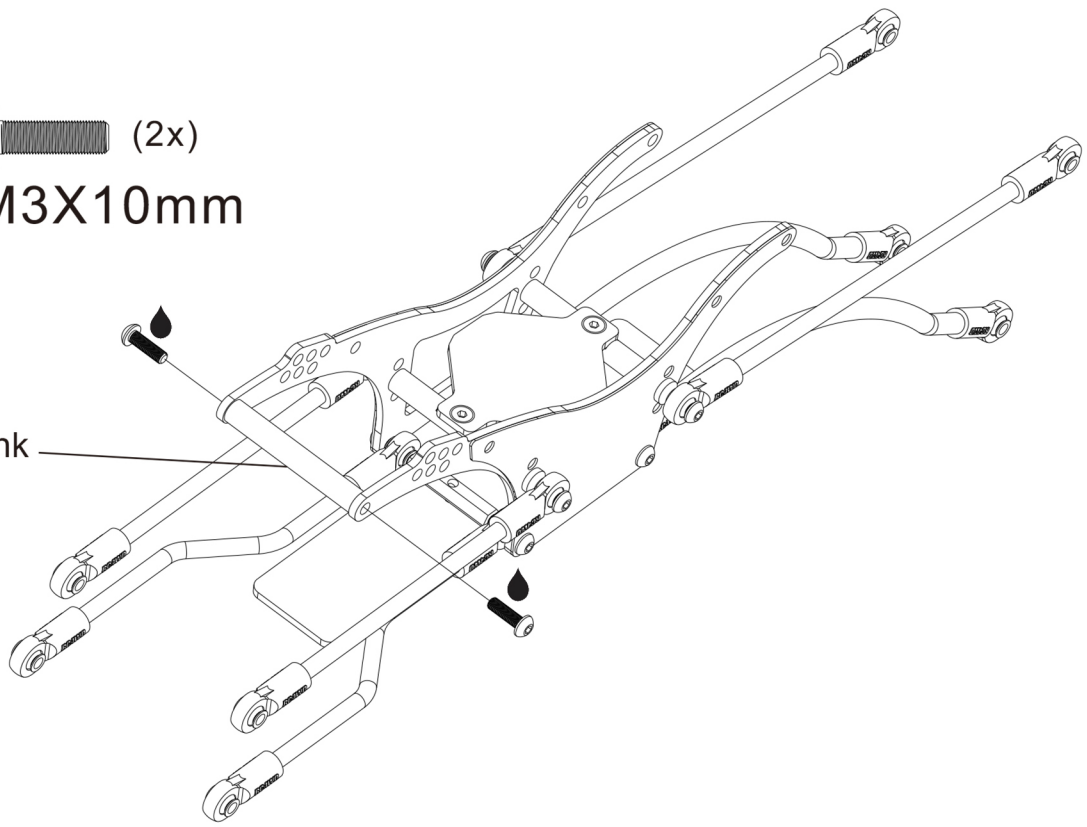
Z-S0657  (4x)
M3X18mm



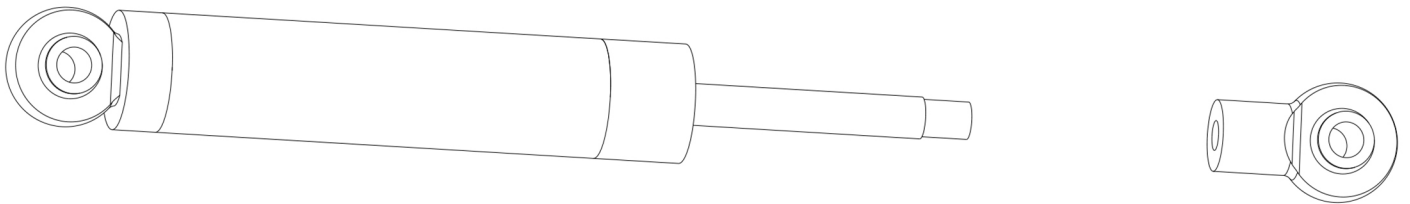
Step 11

Z-S0653 (2x)
M3X10mm

40mm link

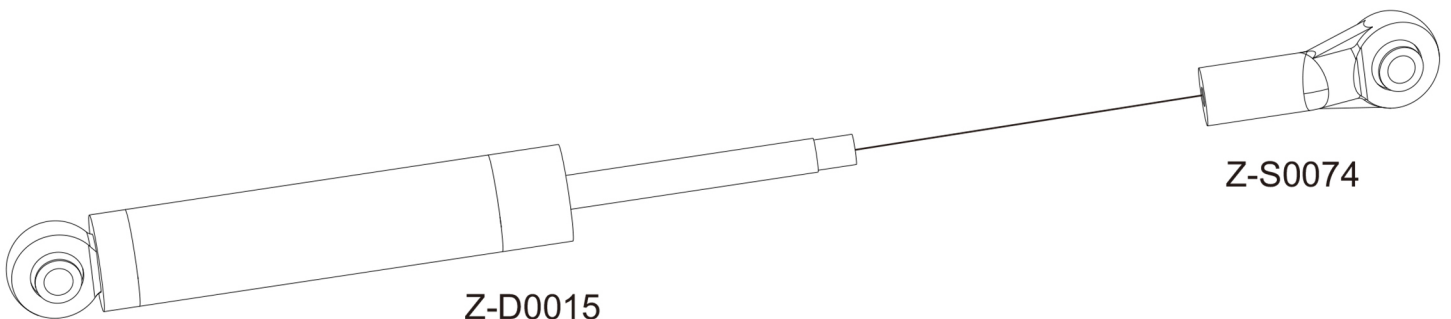


Step 12 Remove the rod end from the shock (Z-D0015) and make two shocks.



Z-D0015


Step 13 Assemble the Z-S0074 on the shocks. Make two shocks.



Z-D0015

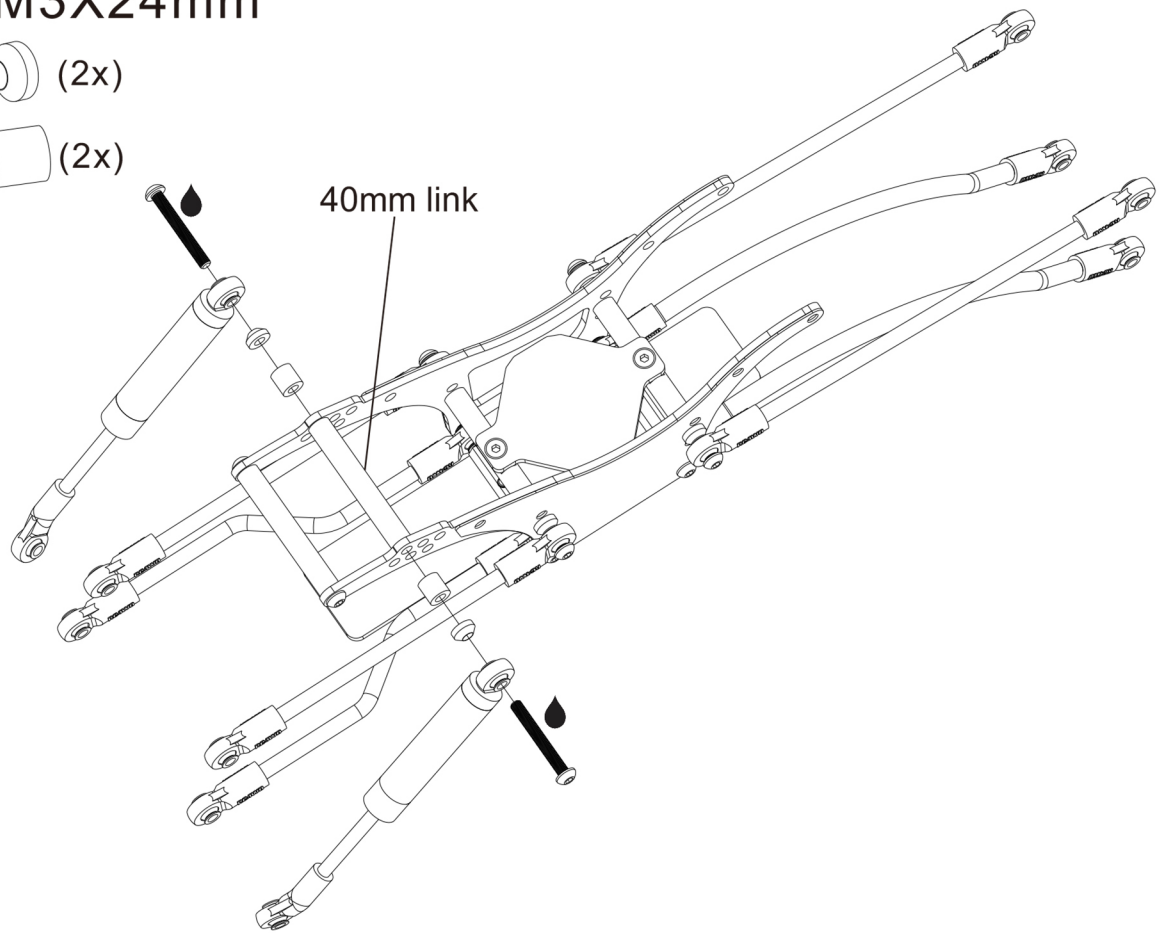
Z-S0074

Step 14

Z-S1616  (2x)
M3X24mm

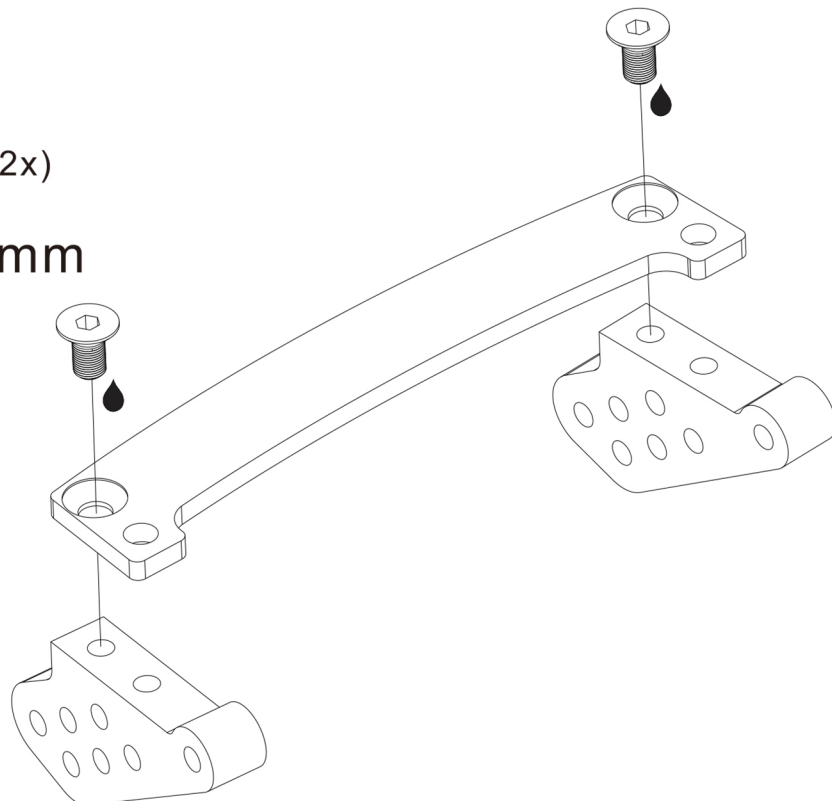
Z-S0843  (2x)

Z-S0956  (2x)



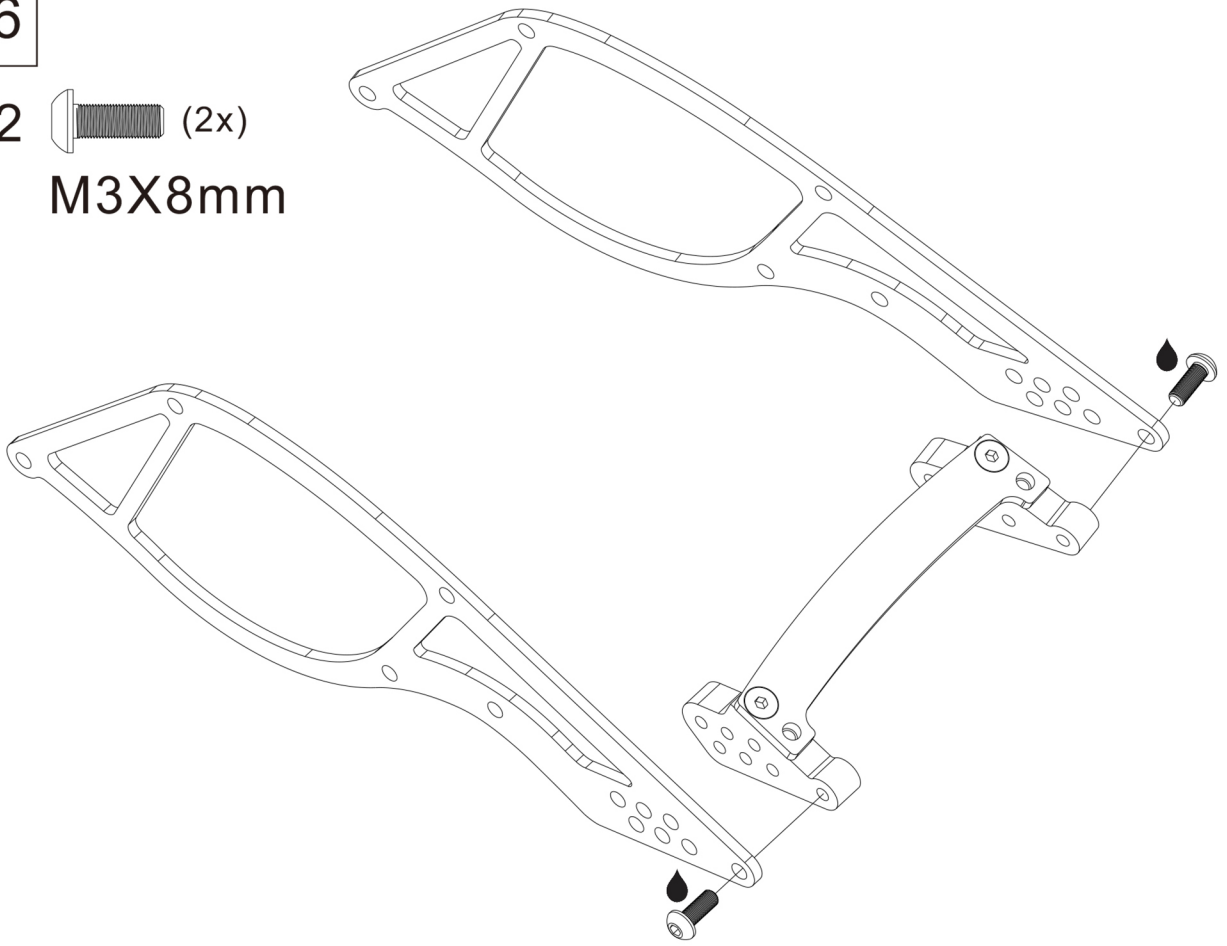
Step 15

Z-S0648  (2x)
M3X6mm



Step 16

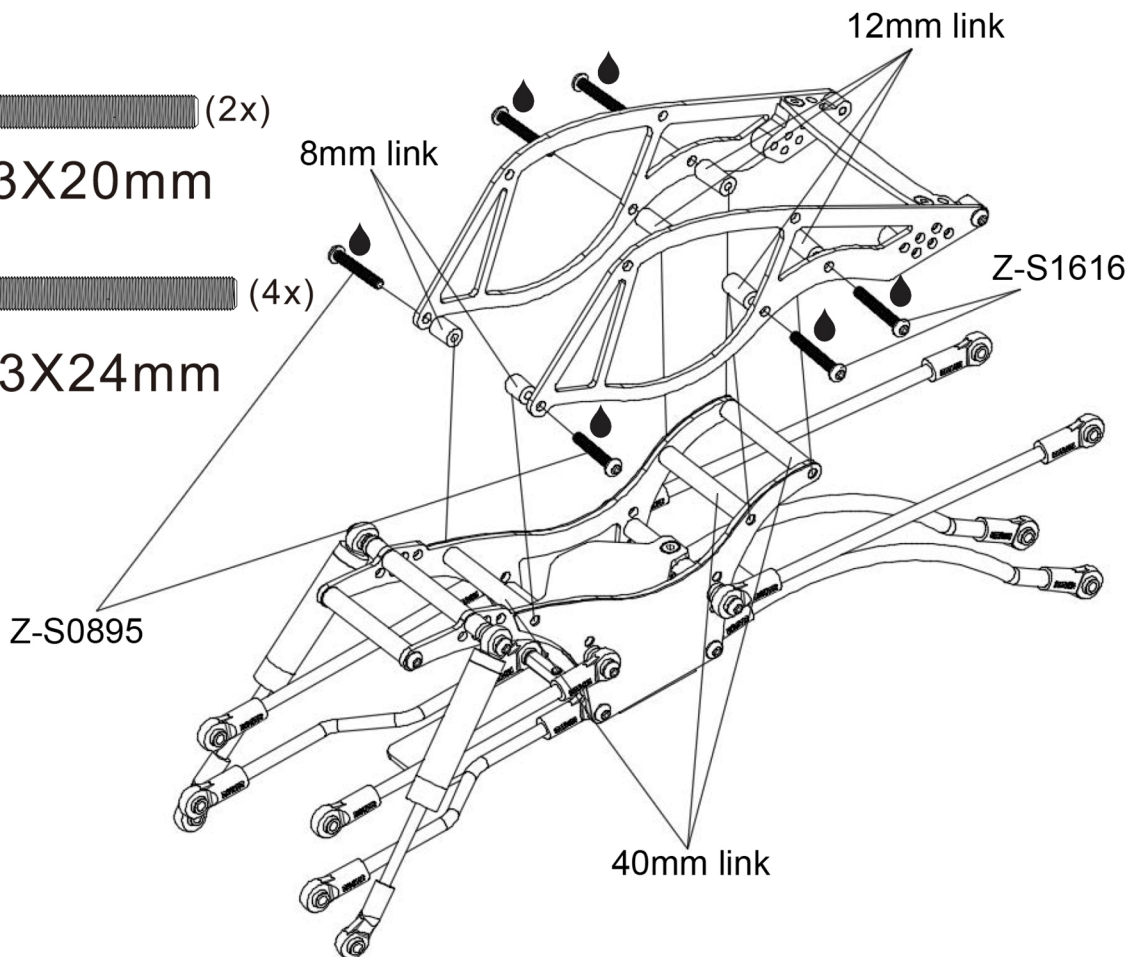
Z-S0652 (2x)
M3X8mm




Step 17

Z-S0895 (2x)
M3X20mm

Z-S1616 (4x)
M3X24mm

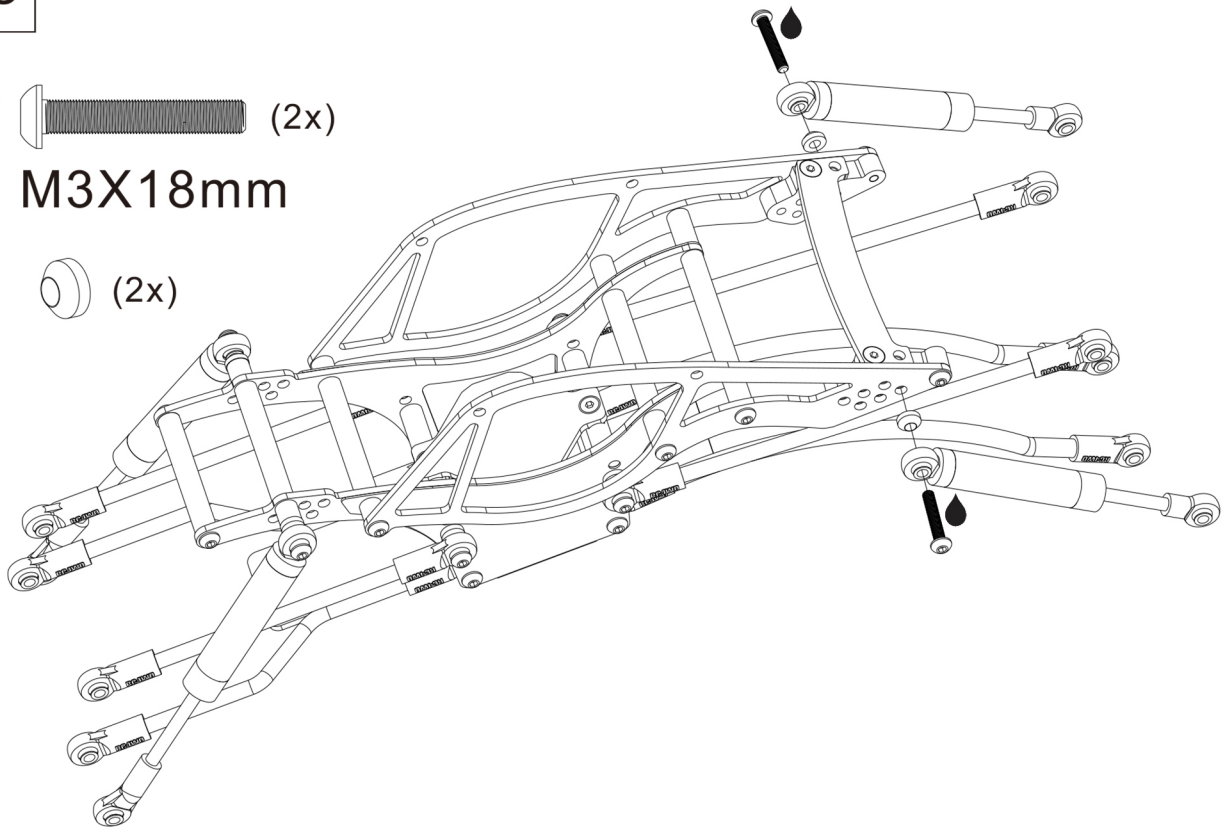


Step 18

Z-S0657  (2x)

M3X18mm

Z-S0843  (2x)

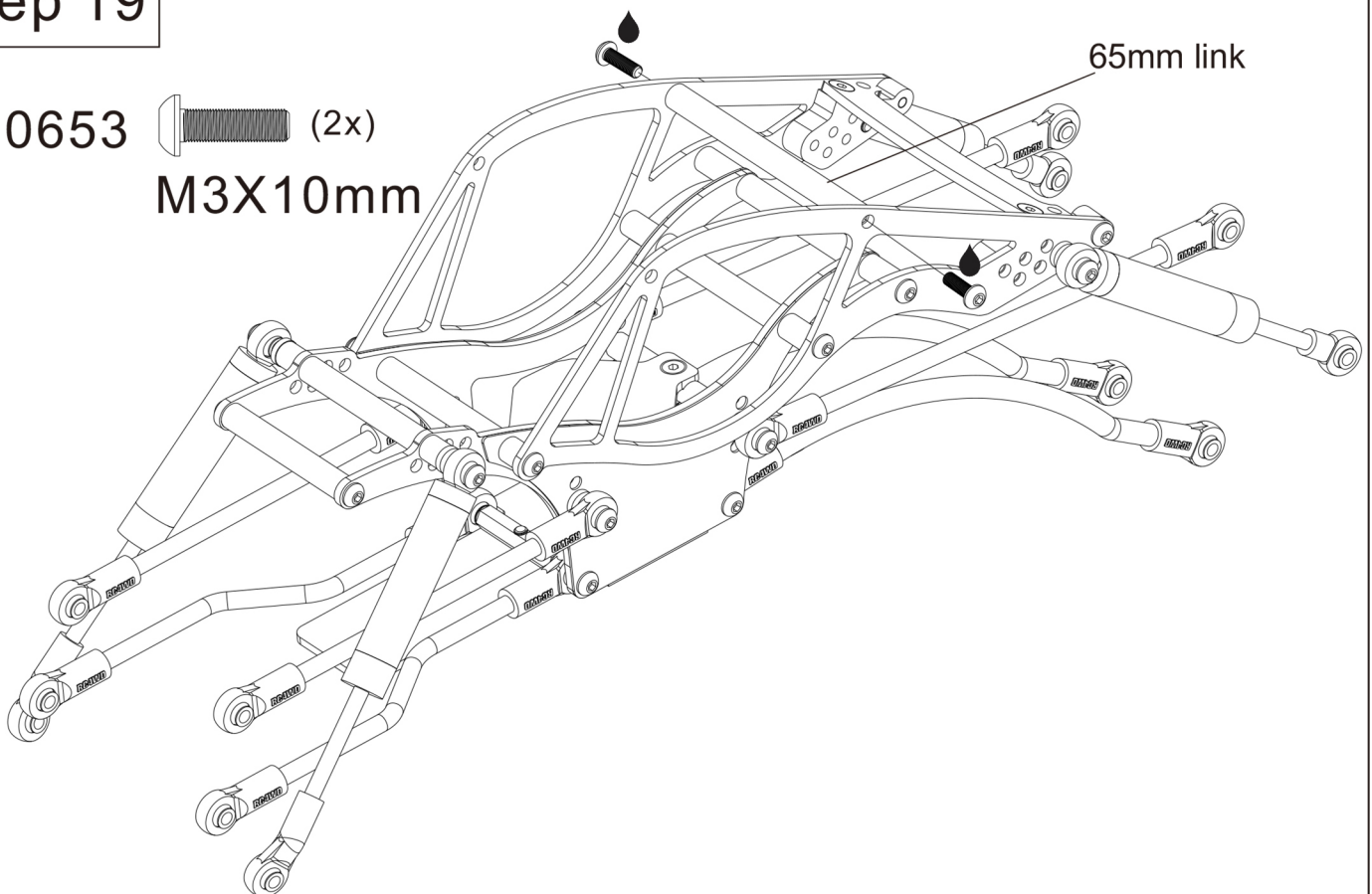


Step 19

Z-S0653  (2x)

M3X10mm

65mm link

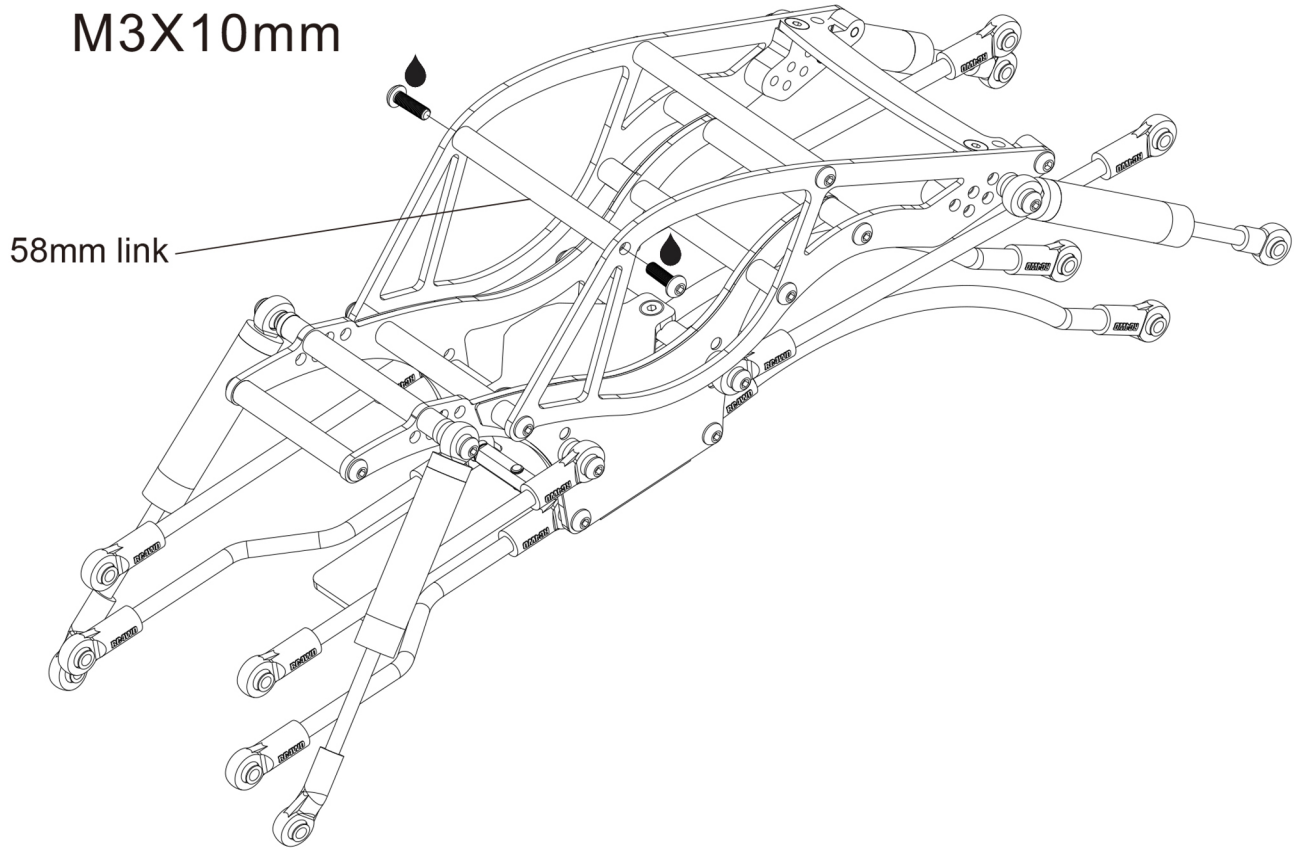


Step 20

Z-S0653 (2x)

M3X10mm

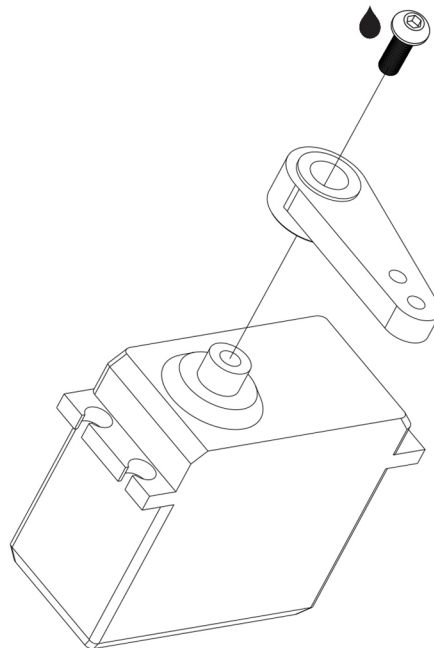
58mm link



Step 21

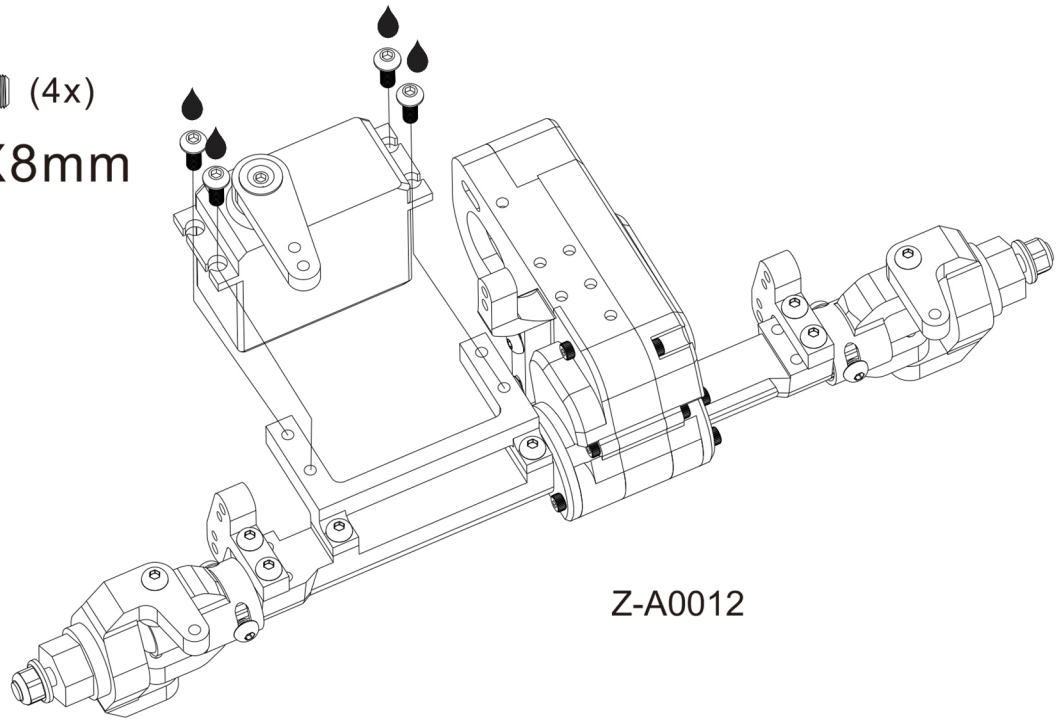
Z-S0651 (1x)

M3X6mm



Step 22

Z-S0652 (4x)
M3X8mm



Z-A0012

Step 23

Z-S0658 (1x)

M3X22mm

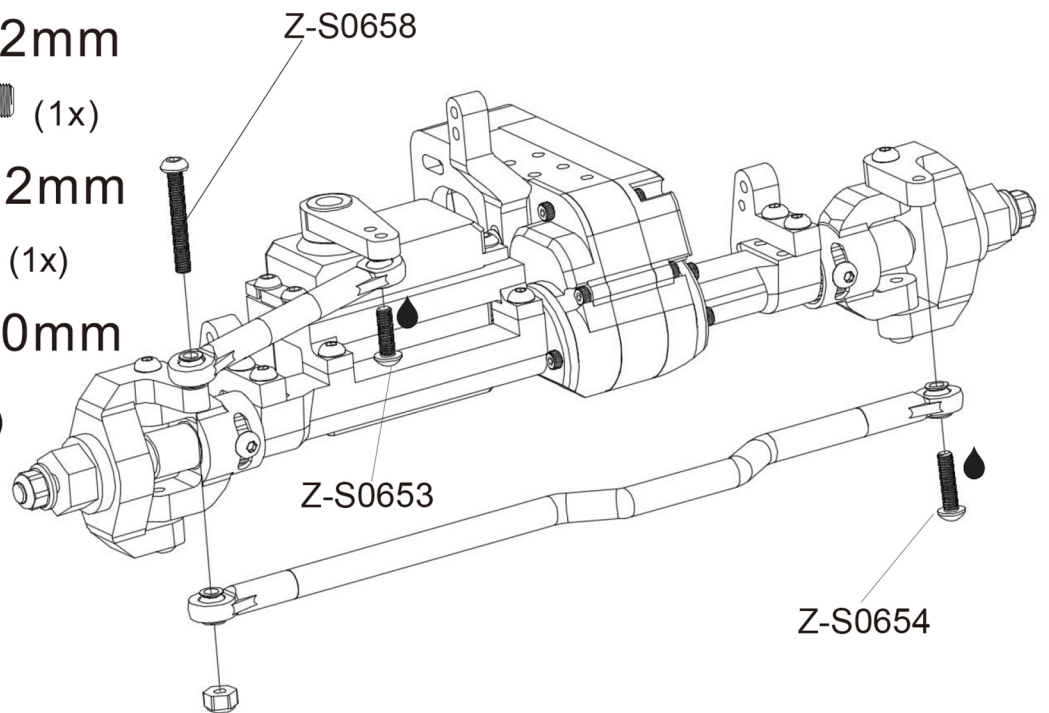
Z-S0654 (1x)

M3X12mm

Z-S0653 (1x)

M3X10mm

Z-S0629 (1x)

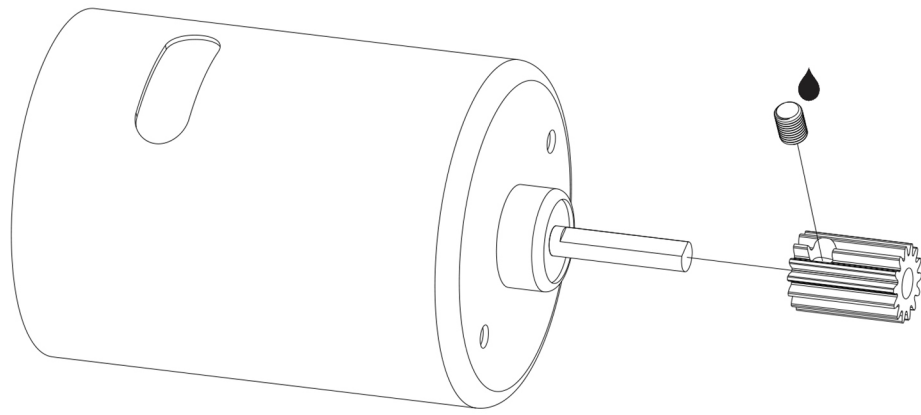


Z-S0658

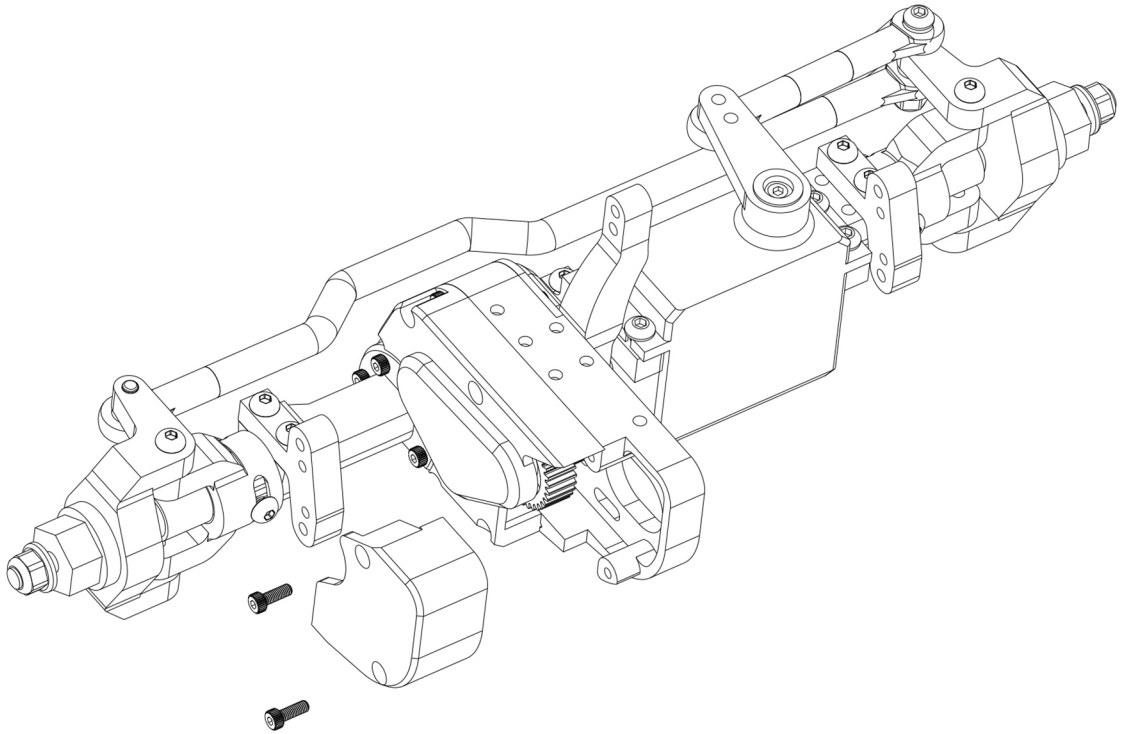
Z-S0653

Z-S0654

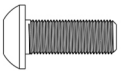
Step 24

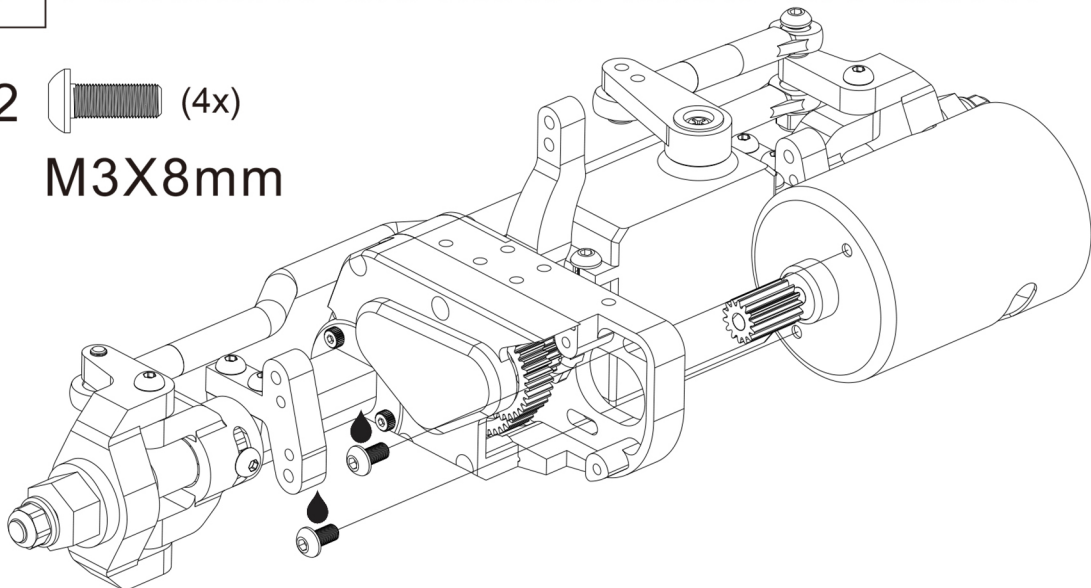


Step 25 Remove this part from both axles.



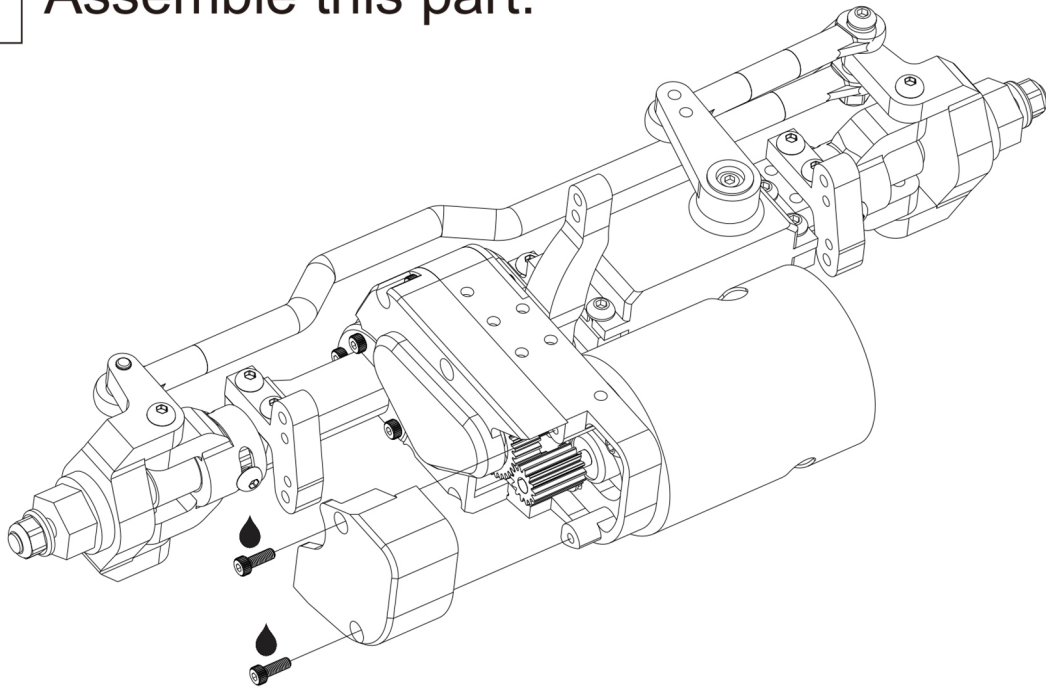
Step 26 Assemble the motor. Make two axles.

Z-S0652  (4x)
M3X8mm



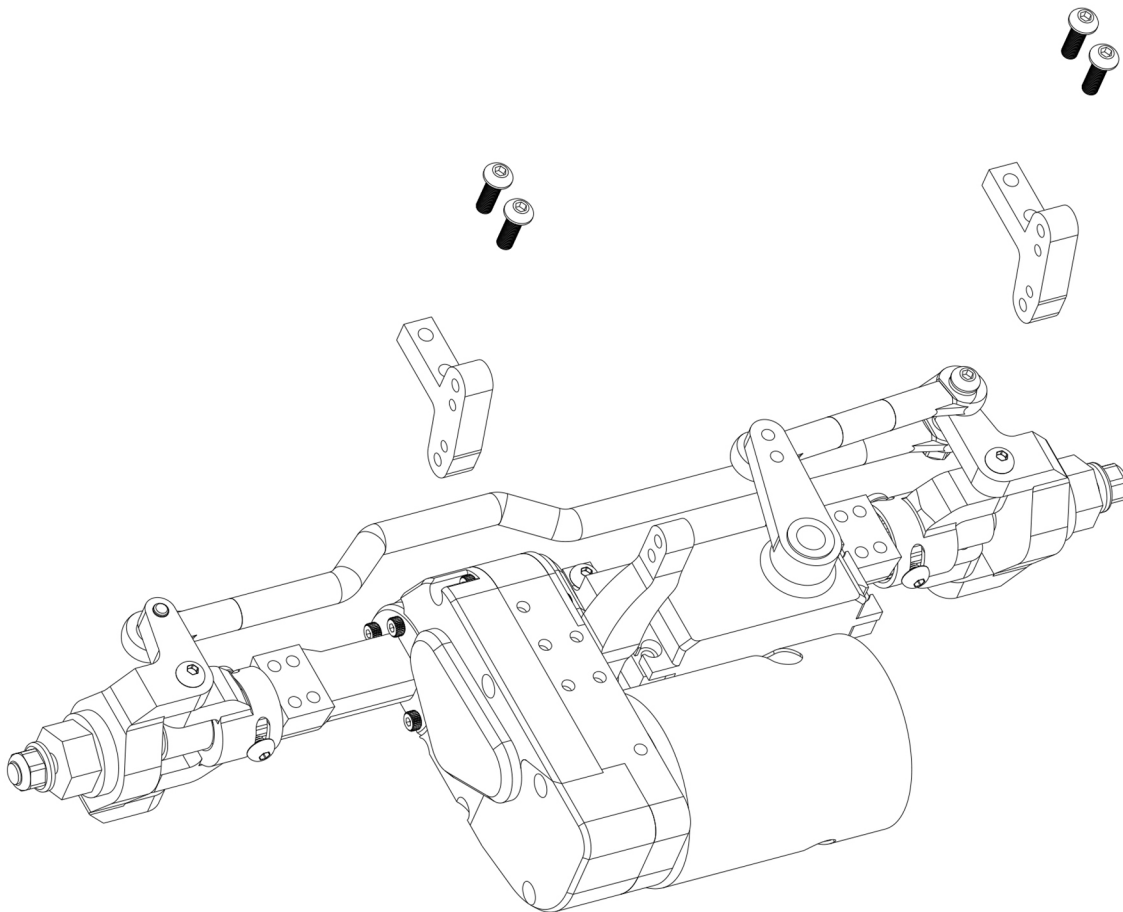
Step 27

Assemble this part.




Step 28

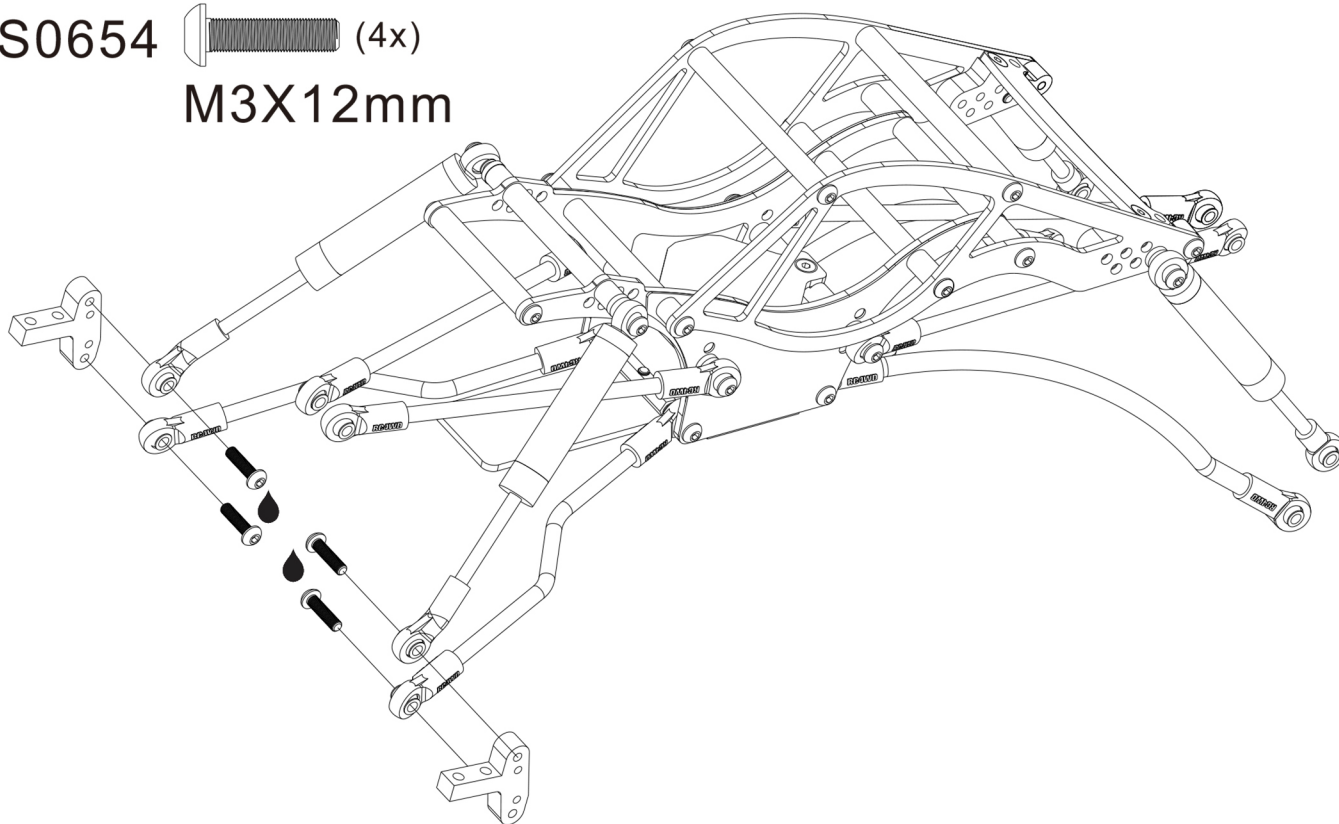
Remove these two link mounts from the front and rear axle. These are needed in order to assemble the chassis.



Step 29


Use the axle component parts to assemble the front part of chassis.

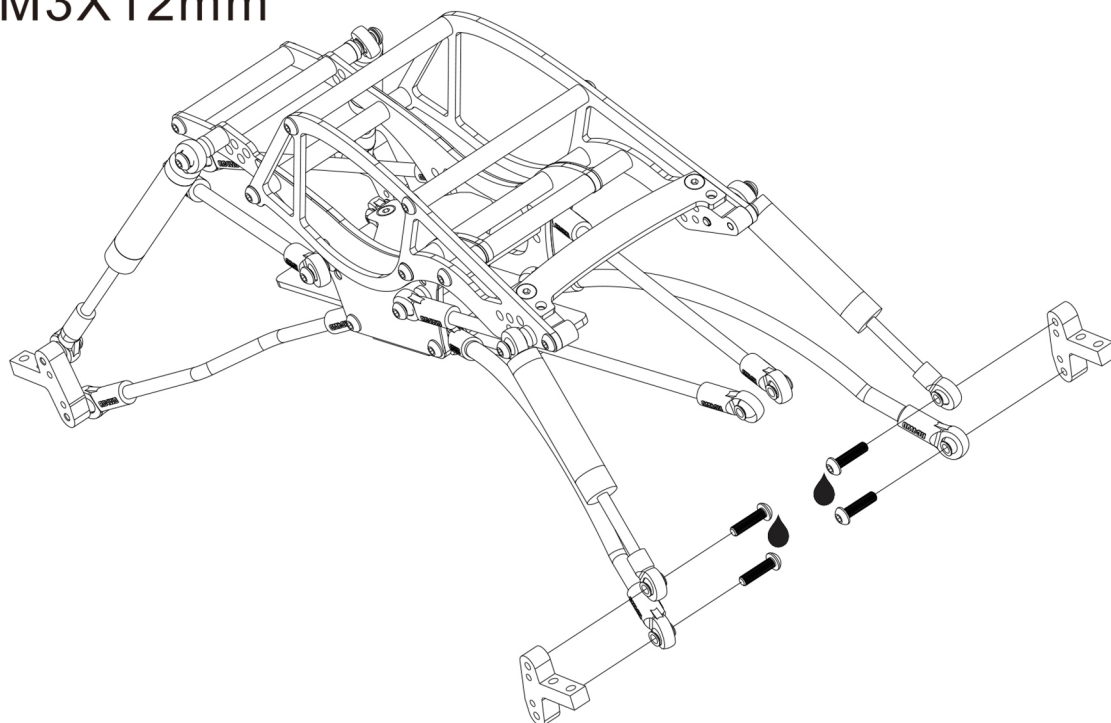
Z-S0654  (4x)
M3X12mm



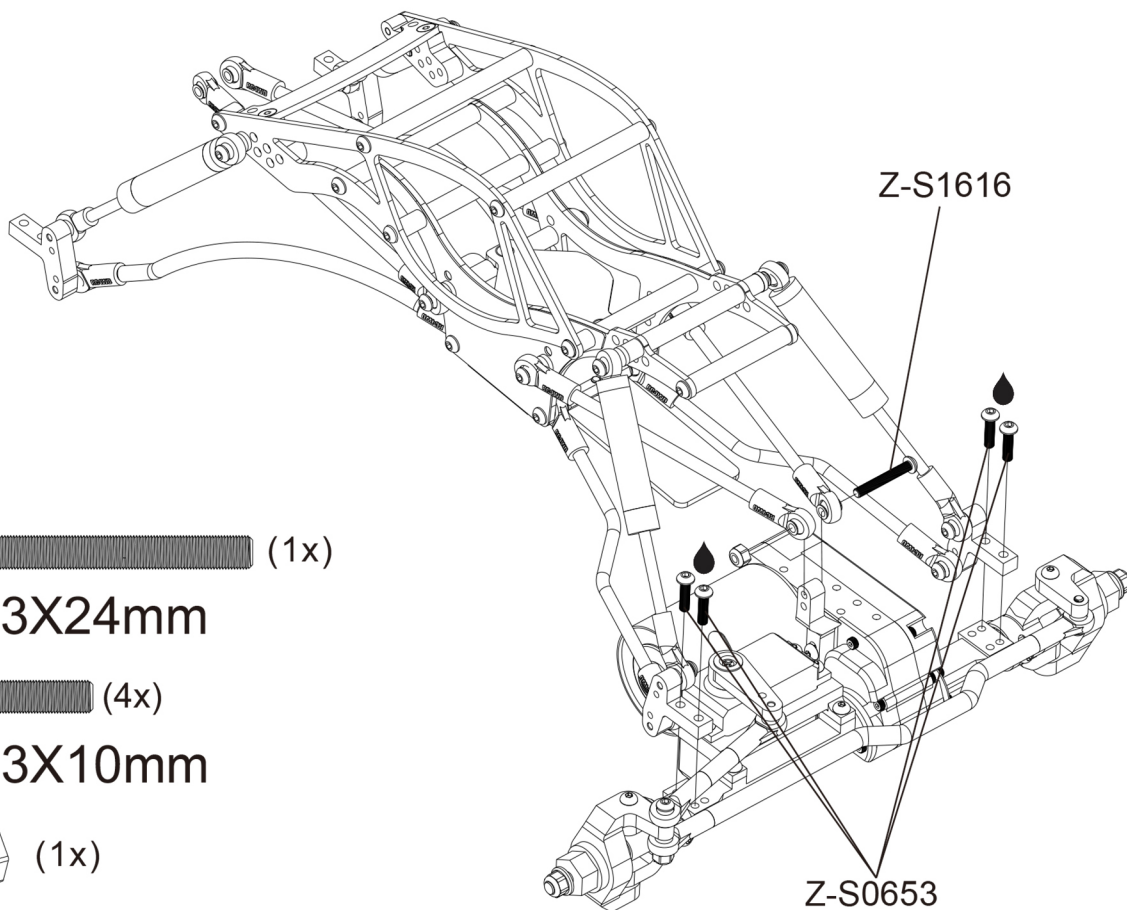
Step 30

Assemble the rear part of chassis.

Z-S0654  (4x)
M3X12mm



Step 31



Z-S1616 (1x)

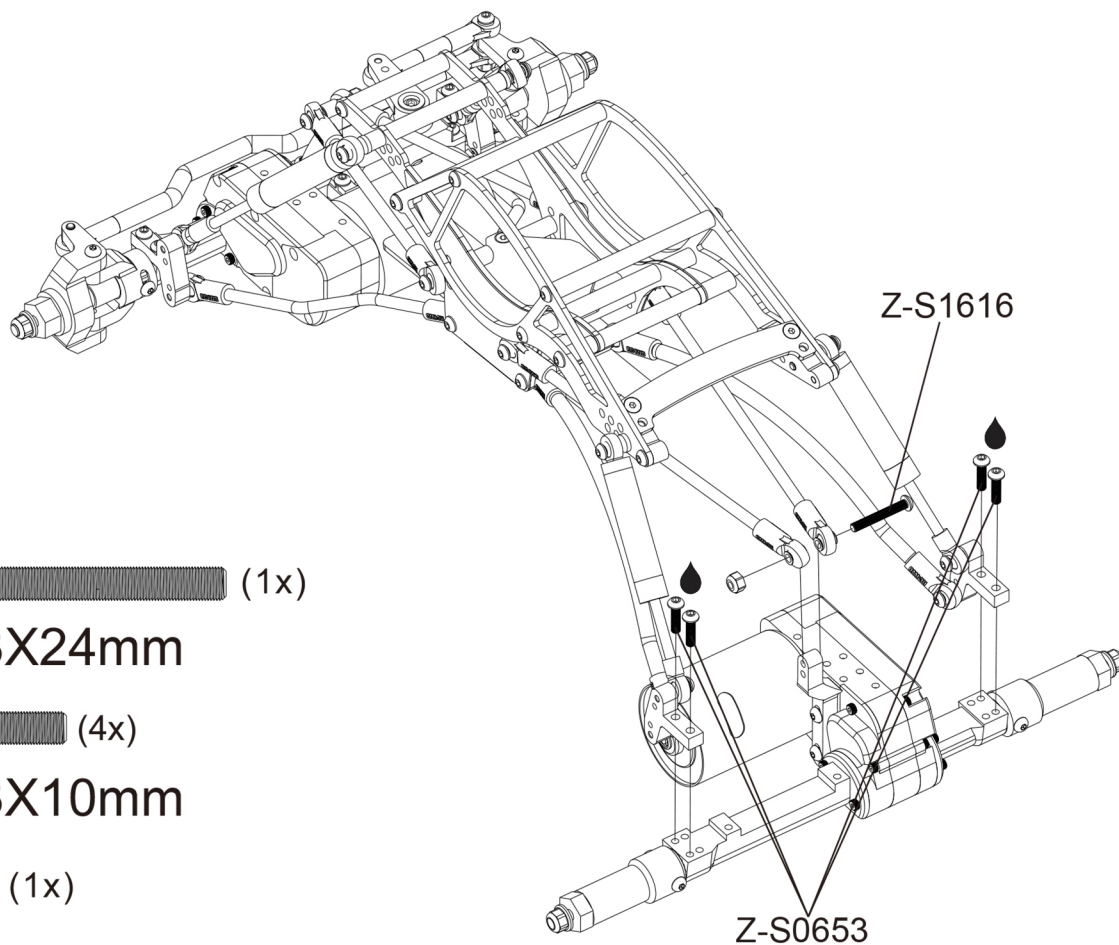
M3X24mm

Z-S0653 (4x)

M3X10mm

Z-S0629 (1x)

Step 32



Z-S1616 (1x)

M3X24mm

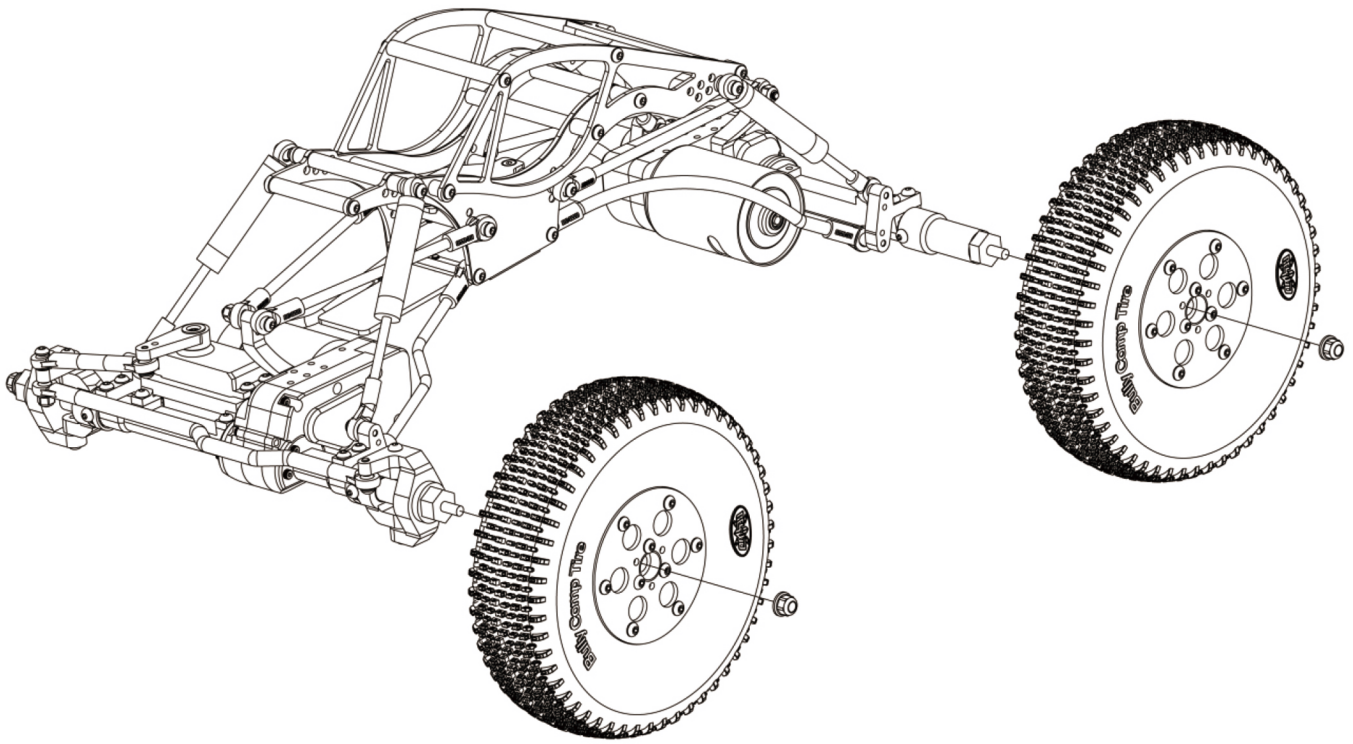
Z-S0653 (4x)

M3X10mm

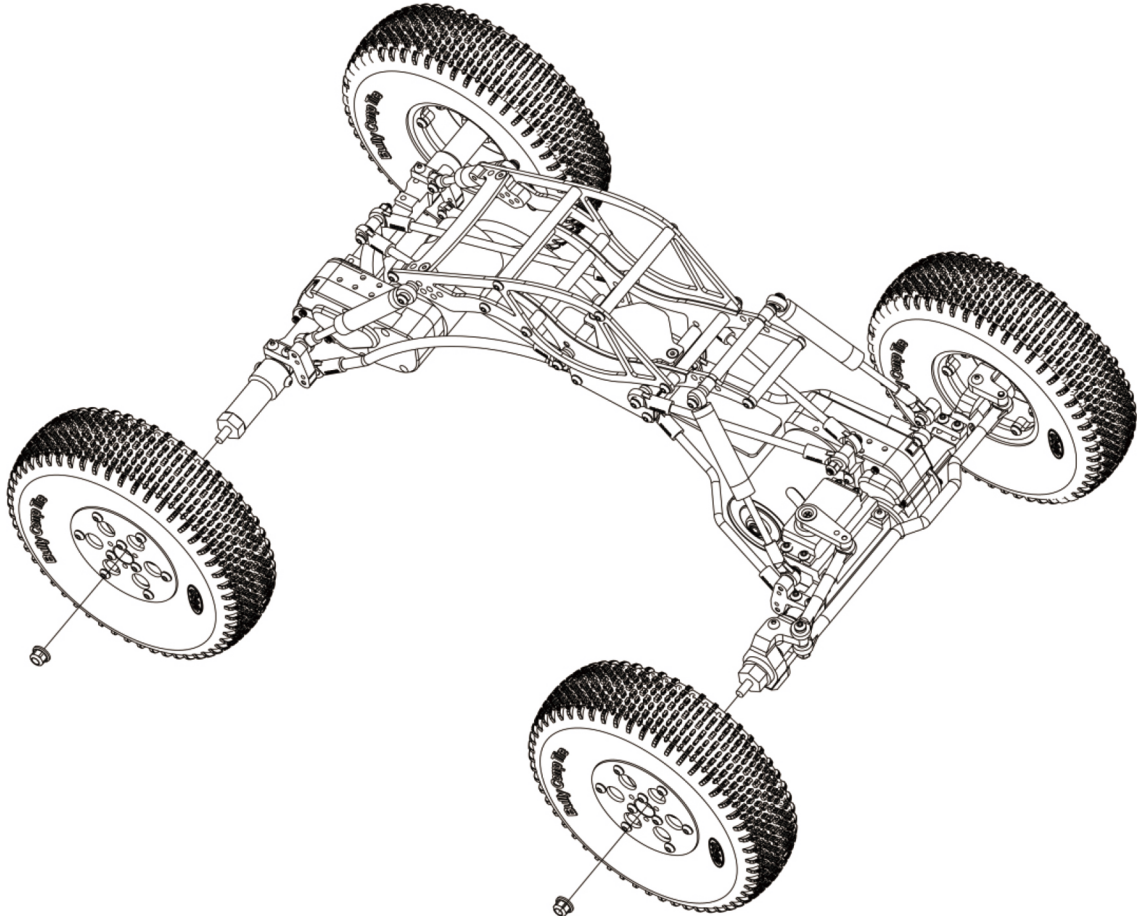
Z-S0629 (1x)



Step 33

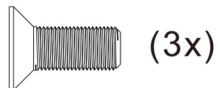


Step 34



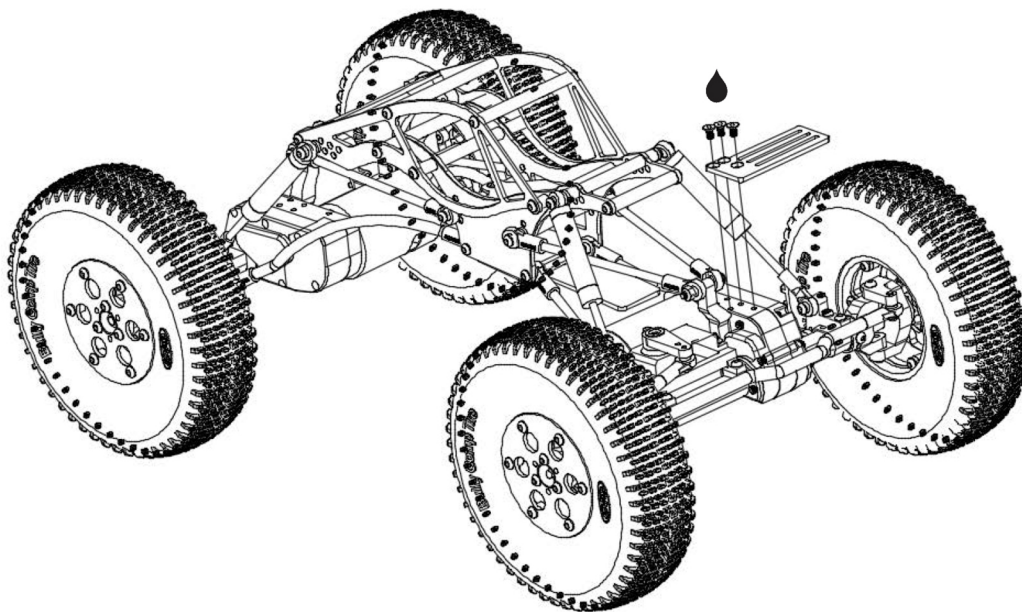
Step 35

Z-S0648



(3x)

M3X6mm



Step 36

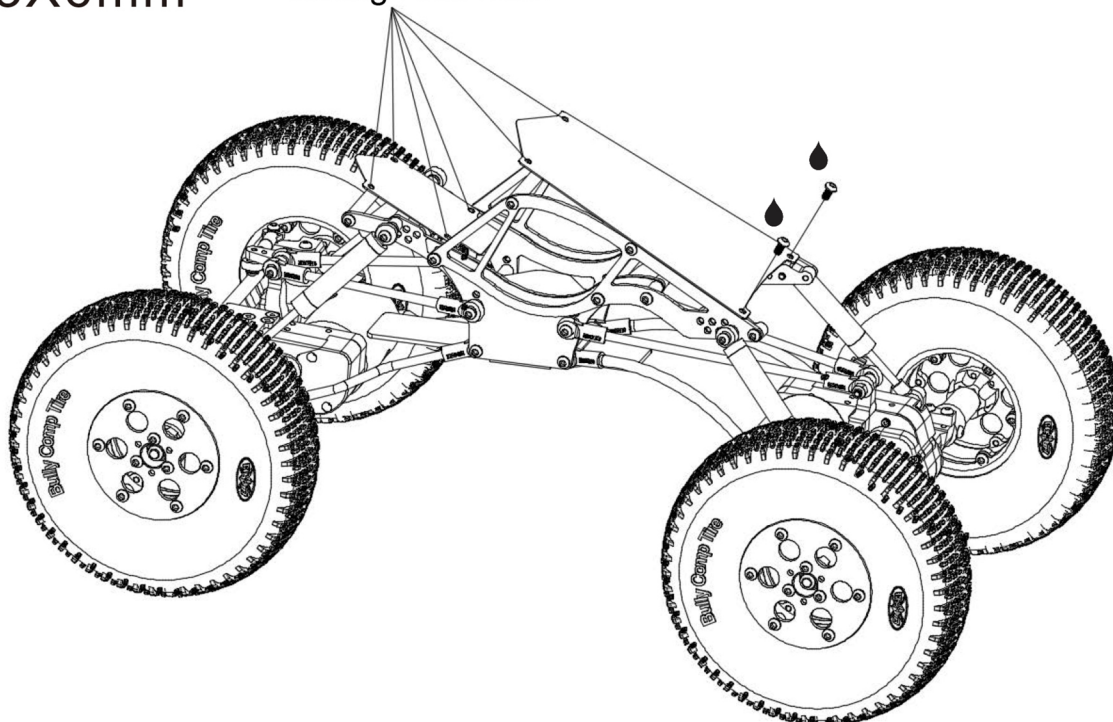
Z-S0651



(2x)

M3X6mm

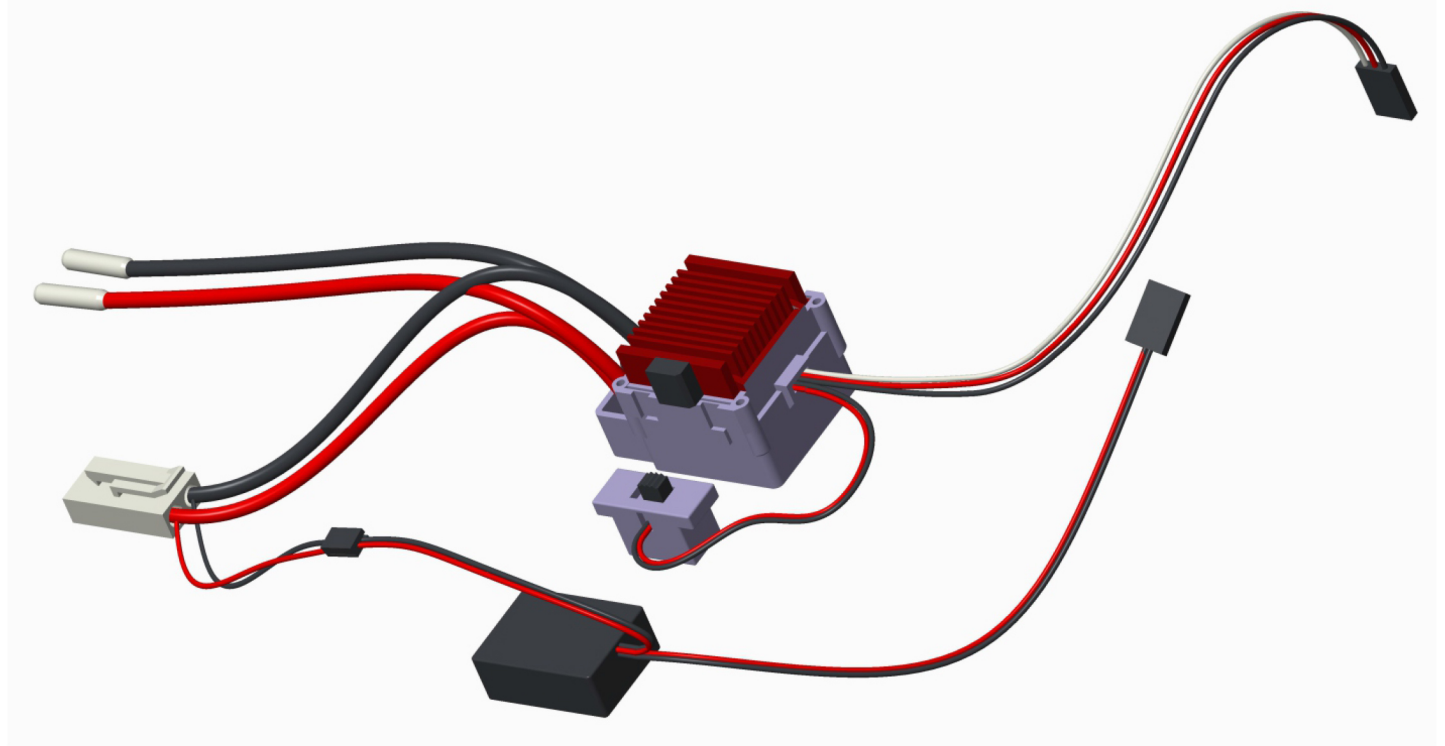
Use strip to fasten the chassis with plastic part through the hole.



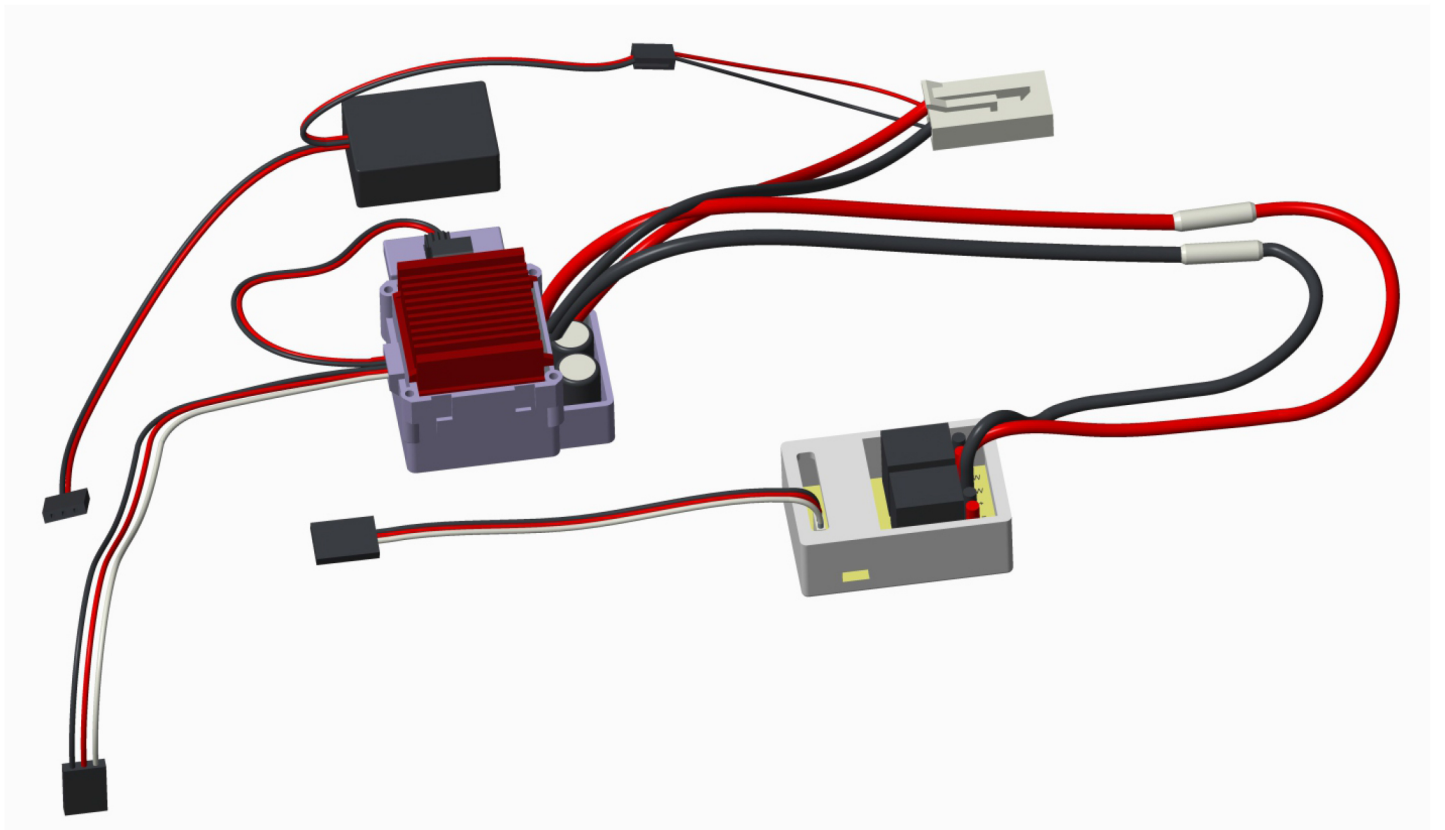
MOA Chassis RTR Electronic Manual

This is a step by step instruction guide for connecting all the electronics for you truck.

1.ESC with BEC (Z-E0007)

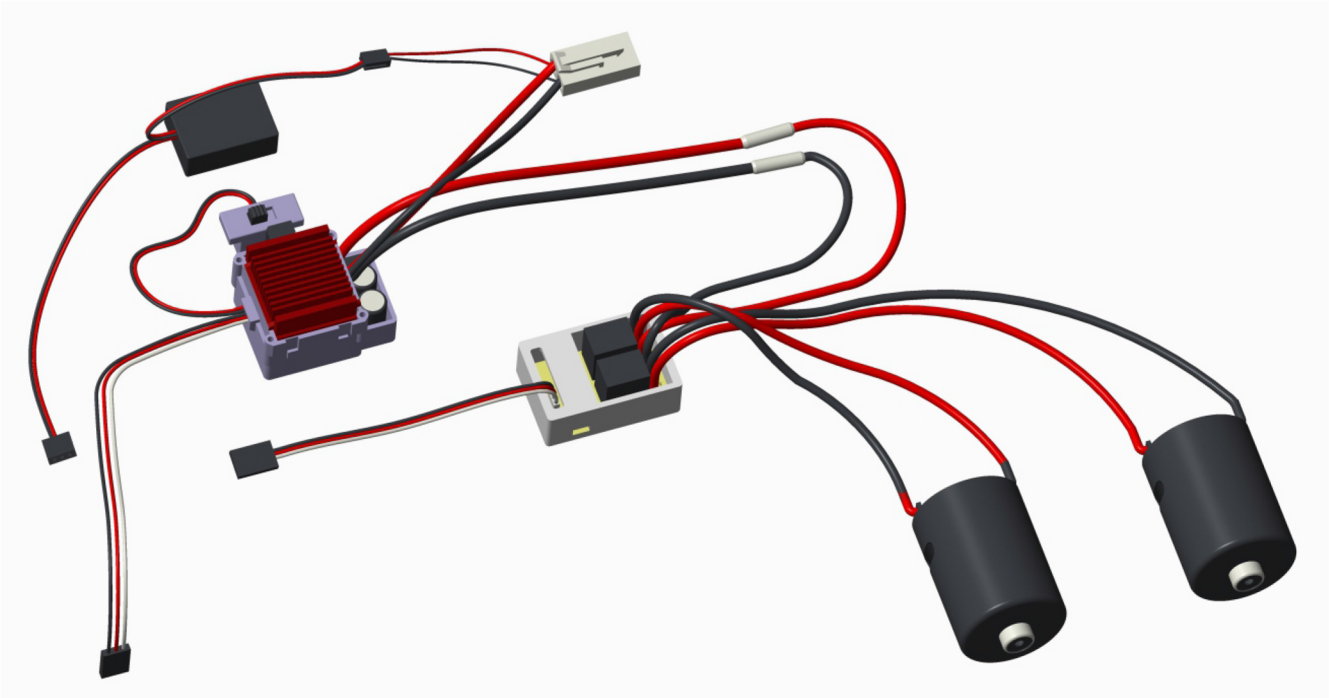


2.Connect ESC to the Rocker Dig II (Electronic) for MOA Crawler. (Z-E0028)

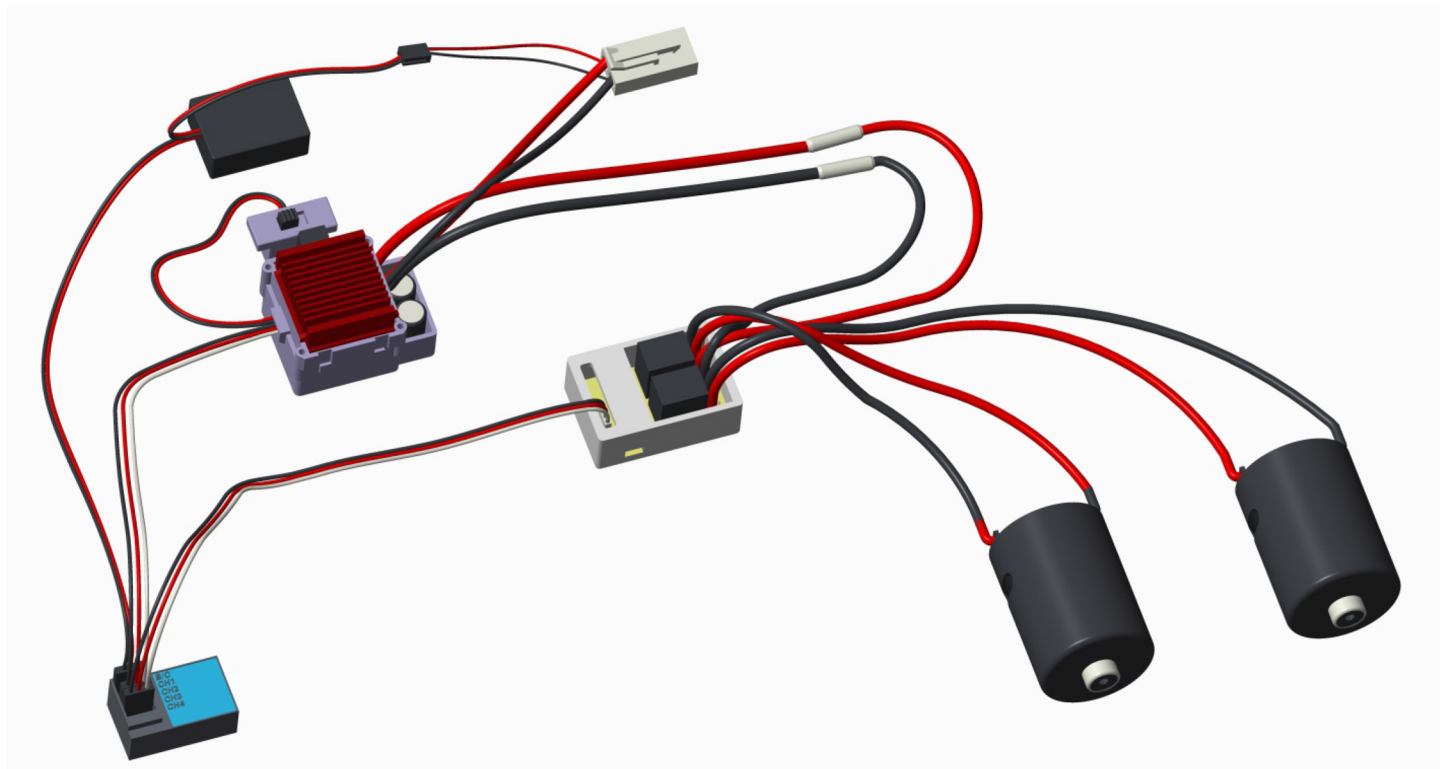


3. Connecting the Brushed 35T Boost Rebuildable Crawler 540 Motor (Z-E0045).

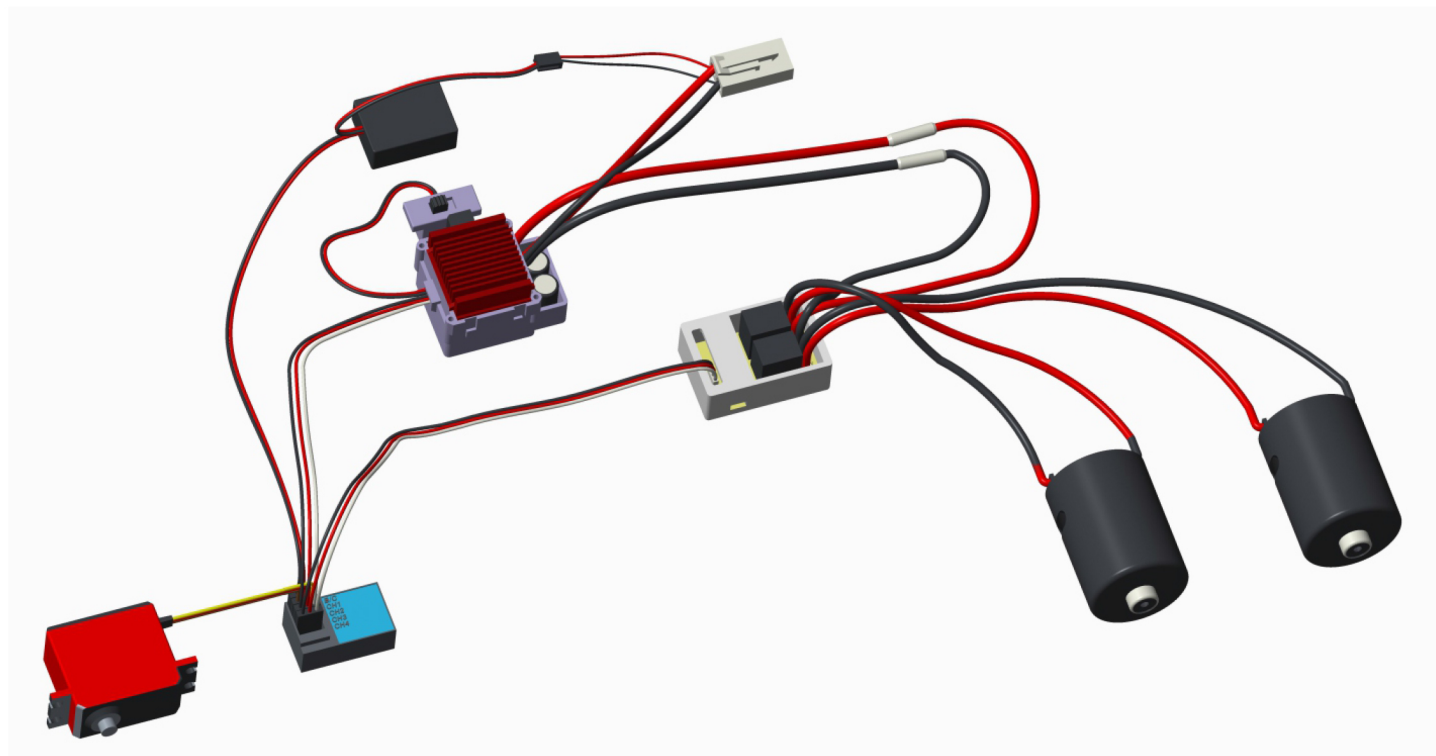
Notice: Please reverse the direction of the wiring of one motor (the wire leads to the opposite connections on the motor).



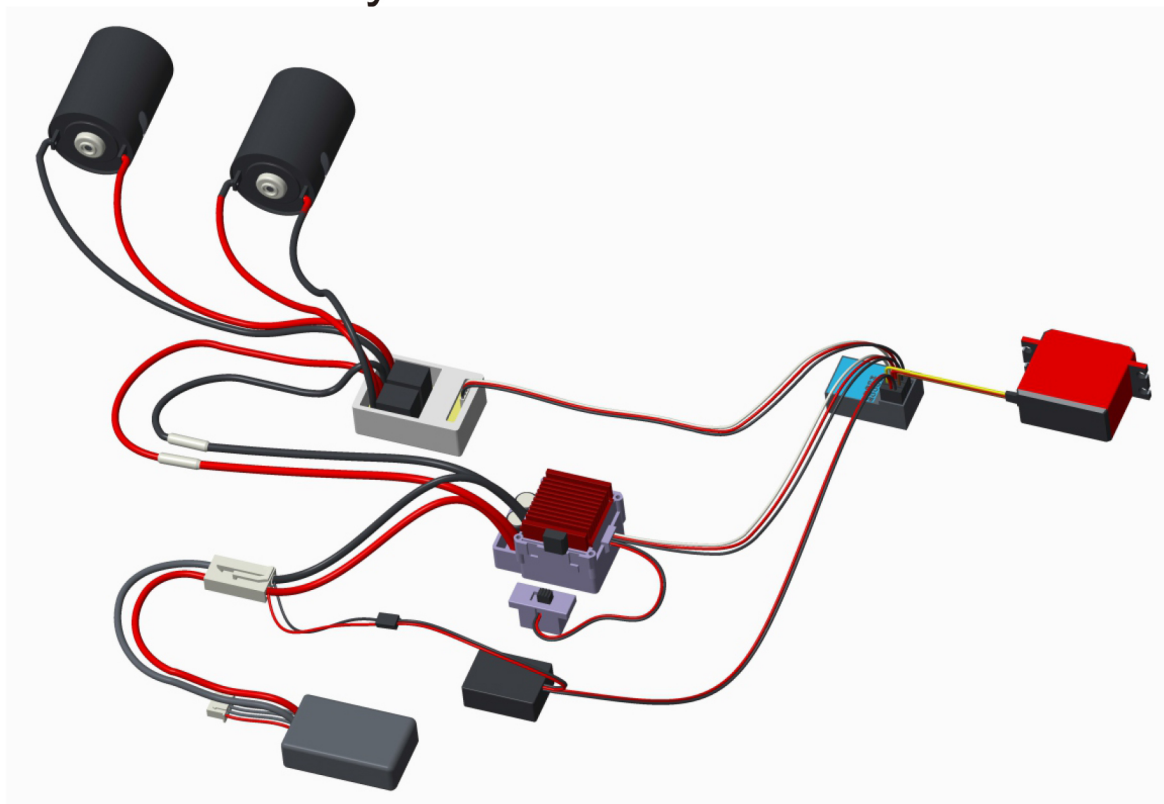
4. Connecting the BEC from the ESC and the ESC to the radio's receiver (Z-R0008). Connect BEC with the B/C port, ESC with the radio's receiver Channel 2, and Rocker Dig II for MOA Crawler with the channel 3.



5. Connect the servo (Z-E0035) to the radio's receiver Channel 1.



6. Connect the battery with the ESC. 3S 11.1V LiPo.



7. Final configuration as it should be when installed on the truck.



Replacement Part Chassis

- Z-C0047 MOA Chassis Prototype Documentation for Bully 2-Chassis
- Z-S1375 RC4WD M3/M4 Plastic Long Rod End
- Z-S1378 RC4WD M3/M4 Plastic Short Rod Ends
- Z-S0843 Heavy Duty Steel Black 3mm Con Washers

Replacement Parts KIT

- Z-C0047 MOA Chassis Prototype Documentation for Bully 2-Chassis
- Z-S1375 RC4WD M3/M4 Plastic Long Rod End
- Z-S1378 RC4WD M3/M4 Plastic Short Rod Ends
- Z-S0843 Heavy Duty Steel Black 3mm Con Washers
- Z-A0012 Bully 2 Competition Crawler Front Axle
- Z-A0084 Bully 2 Competition Crawler Rear Axle
- Z-W0178 Rocker 2.2 Lightweight Competition Beadlock Wheels
- Z-T0134 Bully 2.2 Competition Tire
- Z-S0074 M3 Plastic Bent Rod Ends
- Z-D0015 RC4WD Superlift Superide 90mm Scale Shock Absorbers
- Z-S0952 Bully 2 Competition Crawler Steering Link Kit
- Z-S0552 Heavy Duty Nylon Strap Lock



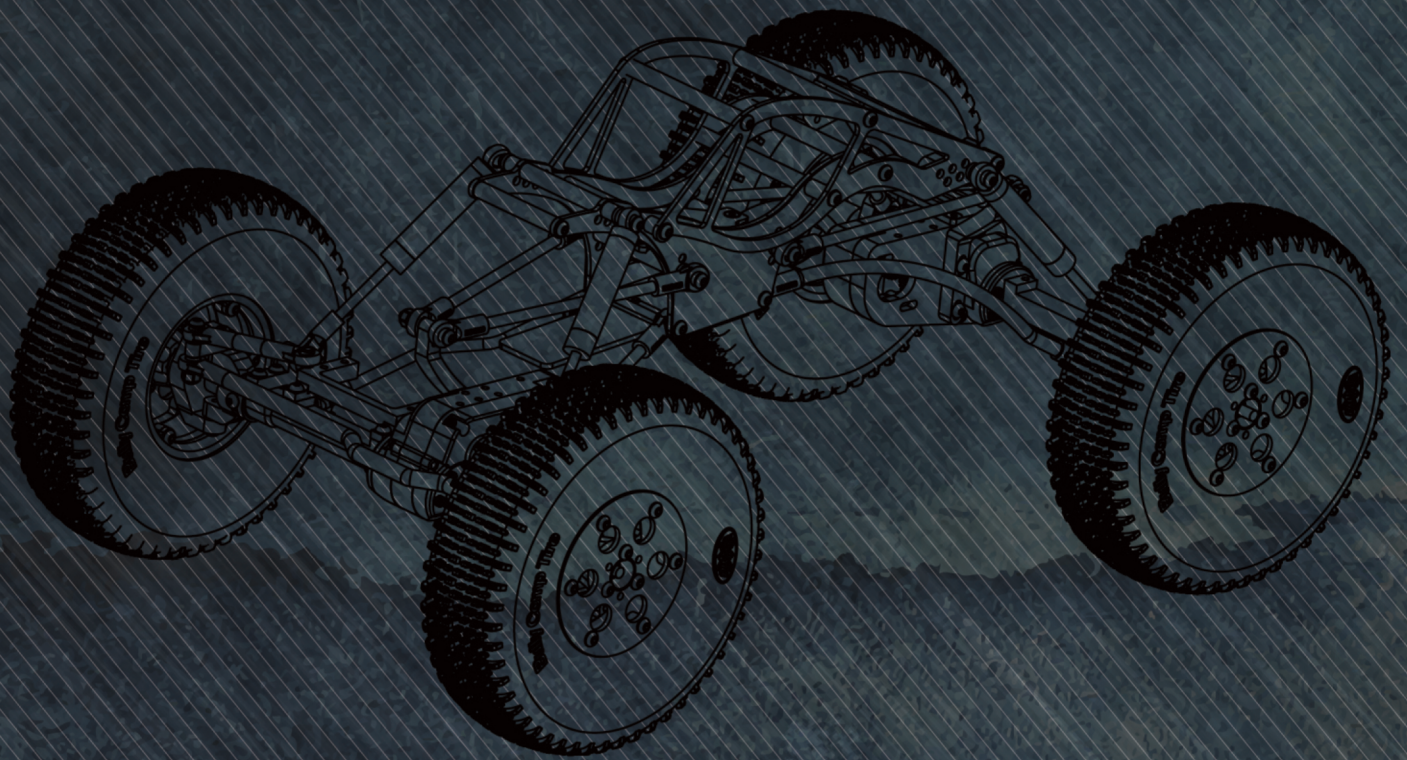
Replacement Parts RTR

- Z-C0047 MOA Chassis Prototype Documentation for Bully 2-Chassis
- Z-S1375 RC4WD M3/M4 Plastic Long Rod End
- Z-S1378 RC4WD M3/M4 Plastic Short Rod Ends
- Z-S0843 Heavy Duty Steel Black 3mm Con Washers
- Z-A0012 Bully 2 Competition Crawler Front Axle
- Z-A0084 Bully 2 Competition Crawler Rear Axle
- Z-W0178 Rocker 2.2 Lightweight Competition Beadlock Wheels
- Z-T0134 Bully 2.2 Competition Tire
- Z-S0074 M3 Plastic Bent Rod Ends
- Z-D0015 RC4WD Superlift Superide 90mm Scale Shock Absorbers
- Z-S0952 Bully 2 Competition Crawler Steering Link Kit
- Z-S0552 Heavy Duty Nylon Strap Lock
- Z-E0007 Outcry Crawler Speed Controller ESC with TurboBEC
- Z-E0028 Rocker Dig II (Electronic) for MOA Crawler
- Z-R0006 XR4 4-Channel 2.4Ghz Transmitter/Receiver Radio
- Z-E0035 Twister High Torque Metal Gear Digital Servo
- Z-E0045 RC4WD Brushed 35T Boost Rebuildable Crawler 540 Motor

Optional parts.

- Z-E0032 Twister High Performance Waterproof Servo
- Z-E0063 Twister Ultimate High Performance Waterproof Servo
- Z-E0008 Outcry Crawler Dual Motor ESC with Fan & BEC





RC4WD 618 Blossom Hill Road,
Ste. 201. San Jose, CA 95123 USA
Web: rc4wd.com Email: support@rc4wd.com

